

GE

Measurement & Control

# UNIK 5000

## Pressure Sensing Platform



The new UNIK 5000 is a high performance configurable solution to pressure measurement. The use of Druck silicon technology and analogue circuitry enables best in class performance for stability, low power and frequency response. The new platform enables you to easily build up your own sensor to match your own precise needs. This high performance, configurable solution to pressure measurement employs modular design and lean manufacturing techniques to offer:



### High Quality

With 35 years of pressure measurement experience, our field-proven Druck silicon technology is at the heart of the new platform, resulting in a range of high quality, high stability pressure sensors.

### Bespoke as Standard

Custom-built from standard components, manufacturing sensors to your requirement is fast and simple; each UNIK 5000 is a “bespoke” pressure sensing solution, but with the short lead times and competitive pricing you would expect from standard products.

### Expertise

We have the people and the knowledge to support your needs for accurate and reliable product performance; our team of experts can help you make the right sensor selection, guiding you and providing the help and tools you need. It is important to ensure that the sensor material and performance selected are suitable for your application.

### Features

- Ranges from 70 mbar (1 psi) to 700 bar (10,000 psi)
- Accuracy to  $\pm 0.04\%$  Full Scale (FS) Best Straight Line (BSL)
- Stainless Steel construction
- Frequency response to 3.5 kHz
- High over pressure capability
- Hazardous Area certifications
- mV, mA, voltage and configurable voltage outputs
- Multiple electrical & pressure connector options
- Operating temperature ranges from  $-55$  to  $125^{\circ}\text{C}$  ( $-67$  to  $257^{\circ}\text{F}$ )



# 5000 Specifications

## Measurement

### Operating Pressure Ranges

#### Gauge ranges

Any zero based range between 70 mbar and 70 bar (1 to 1,000 psi) (values in psi are approximate)

#### Sealed Gauge Ranges

Any zero based range between 10 and 700 bar (145 to 10,000 psi)

#### Absolute Ranges

Any zero based range between 100 mbar and 700 bar (1.5 to 10,000 psi)

#### Differential Ranges

##### Wet/Dry

Uni-directional or bi-directional 70 mbar to 35 bar (1 to 500 psi)

##### Wet/Wet

Uni-directional or bi-directional 350 mbar to 35 bar (5 to 500 psi)

Line pressure: 70 bar max (1000 psi)

#### Barometric Ranges

Barometric ranges are available with a minimum span of 350 mbar (5.1 psi)

#### Non Zero Based Ranges

Non zero based ranges are available. Please contact GE Sensing to discuss your requirements

#### Over Pressure

- 10 × FS for ranges up to 150 mbar (2 psi)
- 6 × FS for ranges up to 700 mbar (10 psi)
- 2 × FS for barometric ranges
- 4 × FS for all other ranges (up to 200 bar for ranges ≤70 bar and up to 1200 bar for ranges >70 bar)

For differential versions the negative side must not exceed the positive side by more than:

- 6 × FS for ranges up to 150 mbar (2 psi)
- 4 × FS for ranges up to 700 mbar (10 psi)
- 2 × FS for all other ranges up to a maximum of 15 bar (200 psi)

#### Containment Pressure

Ranges up to 150 mbar (2 psi) gauge 10 × FS

Ranges up to 70 bar (1000 psi) gauge 6 × FS (200 bar (2900 psi) max)

Ranges up to 70 bar (1000 psi) absolute 200 bar (2900 psi)

Ranges above 70 bar (1000 psi)

1200 bar (17400 psi)

Differential (-ve port) must not exceed positive port by more than 6 × FS (15 bar (200 psi) maximum)

## Supply and Outputs

Electronics Option	Description	Supply voltage (V)	Output	Current Consumption (mA)
0	mV Passive	2.5 to 12	10 mV/V <sup>^</sup>	<2 at 10 V
1	mV Linearised	7 to 12	10 mV/V <sup>^</sup>	<3
2	mA	7 to 28**	4-20 mA	<30
3	0 to 5 V 4-wire	7 to 16**	0 to 5 V	<3
4	0 to 5 V 3-wire	7 to 16**	0 to 5 V*	<3
5	1 to 6 V 3-wire	7 to 16**	1 to 6 V	<3
6	0 to 10 V 4-wire	12 to 16**	0 to 10 V	<3
7	0.5 to 4.5 V Ratiometric	5.0 ± 0.5	0.5 to 4.5 V	<3
8	Isolated/Configurable (4 wire)	7 to 36	See below	See below
9	Configurable (3 wire)	7 to 36	See below	See below

<sup>^</sup> with a 10 volt supply mV output sensors give 100 mV over the full scale pressure.

- Output is ratiometric to the supply voltage

- Output reduces pro-rata for pressure ranges below 350 mbar (5 psi)

\*0 to 5 V 3-wire output is non true zero. At pressures below 1% of span the output will be fixed at approximately 50 mV

\*\*7 to 32 V in non-hazardous area operation

### Isolated/Configurable (Option 8) or Configurable (Option 9)

Any pressure signal output configurations will be available, subject to the following limitations:

- Minimum span: 2 V
- Maximum span: 20 V
- Output limits: ±10 V
- Maximum zero offset: ± span
- Output voltage range can be specified to a resolution of 0.1 V

Reverse output response to pressure is available.

The output will continue to respond to 110% FS. i.e. if a 0 to 10 V output is specified, the output will continue to increase proportionally to applied pressure until at least 11 V.

Current consumption is <20 mA @ 7 Vdc supply, reducing to <5 mA @ 32 Vdc supply. On startup <100 mA drawn for 10 ms typically.

Shunt calibration: not available with reverse output.

*Note: Restricted to 80°C (176°F) for these options.*

#### Examples

Allowed	Not Allowed
-10 to 0 V	0 to 12 V (outside ±10 V limits)
0 to 5 V	6 to 10 V (offset too big)
-5 to +5 V	0 to 0.5 V (span too small)
-2 to 10 V	
1 to 6 V	
10 to 0 V	

#### Power-Up Time

- mV, Voltage and current versions: 10 ms
- Isolated/configurable version: 500 ms

#### Insulation

- 500 Vdc: 100 MΩ
- 500 Vac: ≤ 5 mA leakage current (mV and mA versions only).

## Shunt Calibration

Shunt Calibration provides a customer accessible connection which, when applied, causes a shift in output of 80% FS in order to simulate applied pressure. It is fitted to the mV and Isolated/Configurable versions as standard. It is not available with DIN or M12 x 1 electrical connectors. (options 7, D and G)

Shunt calibration is activated in different ways depending on the electrical connector and version:

- mV versions: connect Shunt Cal to -ve Supply or, where available, connect both Shunt Cal connections together.
- Isolated/Configurable version: connect Shunt Cal to -ve Output or, where available, connect both Shunt Cal connections together.

*Note: Not available with reverse output.*

## Performance Specifications

There are three grades of performance specification: Industrial, Improved and Premium

### Accuracy

#### Voltage, Current and mV Linearised

Combined effects of non-linearity, hysteresis and repeatability:

Industrial:	±0.2% FS BSL
Improved:	±0.1% FS BSL
Premium:	±0.04% FS BSL

## General Certifications

RoHS 2002/95/EC

CRN Certified 0F13650.513467890YTN for pressure ranges up to and including 350 bar (5000 psi)

## CE Conformity

Pressure Equipment Directive 97/23/EC

ATEX 94/9/EC (Optional)

EMC Directive 2004/108/EC

BS EN 61000-6-1: 2007	Susceptibility - Light Industrial
BS EN 61000-6-2: 2005	Susceptibility - Heavy Industrial (except mV versions)
BS EN 61000-6-3: 2007	Emissions - Light Industrial
BS EN 61000-6-4: 2007	Emissions - Heavy Industrial
BS EN 61326-1: 2006	Electrical Equipment for Measurement, Control and Laboratory Use
BS EN 61326-2-3: 2006	Particular requirements for pressure transducers

## Hazardous Area Approvals (optional)

General applications	<ul style="list-style-type: none"><li>• IECEx/ATEX Intrinsically Safe 'ia' Group IIC</li><li>• FM Approved (Canada &amp; US) Intrinsically Safe Exia Class I, Division 1, Groups A, B, C &amp; D and Class I, Zone 0 AEx/Ex ia Group IIC; Single Seal</li></ul>
Mining applications	<ul style="list-style-type: none"><li>• IECEx/ATEX Intrinsically Safe 'ia' Group I</li></ul>

For full certification details, refer to the type-examination certificates (or approval listings) and Hazardous Area Installation Instructions.

## mV Passive

≤ 70 bar

Industrial/Improved: ±0.2% FS BSL

Premium not available

> 70 bar

Industrial/Improved: ±0.5% FS BSL

Premium not available

*Note: For the barometric pressure range, accuracy is of span, not full scale.*

## Zero Offset and Span Setting

Demountable electrical connector options allow access to potentiometers that give at least ±5% FS adjustment (see Electrical Connector section)

### Factory set to:

Product Description	Industrial	Improved and Premium
Current and Voltage Versions (Demountable Electrical Connections and Cable Gland)	±0.5% FS	±0.2% FS
Current and Voltage Versions (All Other Electrical Connections)	±1.0% FS	±1.0% FS
mV Versions	±3.0 mV	±3.0 mV

## Long Term Stability

±0.05% FS typical (±0.1% FS maximum) per year increasing pro-rata for pressure ranges below 350 mbar

## Temperature Effects

Four compensated temperature ranges can be chosen.

Industrial Accuracy performance:

-10 to +50 °C (14 to +122 °F): ±0.75% FS  
Temperature error band (TEB)

-20 to +80 °C (-4 to 176 °F): ±1.5% FS TEB

-40 to +80 °C (-40 to 176 °F): ±2.25% FS TEB

-40 to +125 °C (-40 to 257 °F): ±2.25% FS TEB

Improved and Premium Accuracy performance:

-10 to +50 °C (14 to +122 °F): ±0.5% FS TEB

-20 to +80 °C (-4 to 176 °F): ±1.0% FS TEB

-40 to +80 °C (-40 to 176 °F): ±1.5% FS TEB

-40 to +125 °C (-40 to 257 °F): ±1.5% FS TEB

Temperature effects increase pro-rata for pressure ranges below 350 mbar (5 psi) and are doubled for barometric ranges.

## Line Pressure Effects (Differential Version Only)

Zero shift: <±0.03% span/bar of line pressure

Span shift: <±0.03% span/bar of line pressure

Effects increase pro-rata for differential pressure ranges below 700 mbar (10 psi).

## Physical Specifications

### Environmental Protection

- See Electrical Connector section
- Hyperbaric Pressure: 20 bar (300 psi) maximum

### Operating Temperature Range

See Electrical Connector section

### Pressure Media

Fluids compatible with Stainless Steel 316L and Hastelloy C276.

For the wet/dry differential version, negative pressure port: fluid compatible with stainless steel 316L, stainless steel 304, pyrex, silicon and structural adhesive.

### Enclosure Materials

Stainless steel (body), nitrile- or silicone-rubber (o-rings, gaskets), EPDM (gaskets, depth cone), PTFE (vent filter), Nickel plated brass (lock rings), glass filled nylon (electrical connector assemblies), delrin (depth cone). Cable sheaths as specified (see Electrical Connector).

### Pressure Connector

Available options are

- G1/4 Female\*
- G1/4 Male Flat

- G1/4 Male 60° Internal Cone
- G1/4 Male Flat Long
- G1/4 Male Flat with Snubber
- G1/4 Male Flat with Cross Bore Protection
- G1/4 Quick Connect
- G1/8 Male 60° Internal Cone
- G1/2 Male via Adaptor\*
- 1/4 NPT Female\*
- 1/4 NPT Male
- 1/8 NPT Male
- 1/2 NPT Male via Adaptor
- 7/16-20 UNF Female
- 7/16-20 UNF Male Short Flat
- 7/16 UNF Long 37° Flare Tip
- 7/16-20 UNJF Male 74° External Cone
- 3/8-24 UNJF
- 1/4 Swagelok Bulkhead
- M10 X 1 80° Internal Cone
- M12 X 1 60° Internal Cone
- M14 X 1.5 60° Internal Cone
- M20 X 1.5 Male
- Depth Cone (G1/4 Female Open Face)
- M12 x 1.0 74° External Cone
- Quick Release Male
- VCR Female
- VCR Male

Choose connectors marked \* for pressure ranges over 70 bar. Other pressure connectors may be available, contact GE to discuss your requirement.

## Electrical Connector

Various electrical connector options are available offering different features:

Code Number	Description	Max Operating temp range		IP rating	Zero span Adjust
		°C	°F		
0	No Connector	-55 to +125	-67 to +257	-	Y
1	Cable Gland	-40 to +80	-40 to +176	65	N
2	Raychem Cable	-55 to +125	-67 to +257	65	N
3	Polyurethane Depth	-40 to +80	-40 to +176	68	N
4	Hytrel Depth	-40 to +80	-40 to +176	68	N
6/E	Bayonet MIL-C-26482	-55 to +125	-67 to +257	67	N
7	DIN 43650 Form A Demountable	-40 to +80	-40 to +176	65	Y
A/F	Bayonet MIL-C-26482 Demountable	-55 to +125	-67 to +257	65	Y
C	1/2 NPT Conduit	-40 to +80	-40 to +176	65	N
D	Micro DIN (9.4 mm pitch)	-40 to +80	-40 to +176	65	N
G	M12x1 4pin	-55 to +125	-67 to +257	67	N
K	Zero Halogen Cable Demountable	-40 to +80	-40 to +176	65	Y
M	Tajimi R03-R6F	-25 to +85	-13 to +185	65	N

*Note: Electronics output options 8 and 9 are restricted to a maximum operating temperature of 80°C (176°F).*

*Note: Hazardous area approved versions are restricted to a maximum operating temperature range of -40°C to 80°C (-40°F to 176°F).*

# Electrical Connector

Connector Type	Option code	Electronics Option						
		4 to 20 mA	Voltage (3-wire)	Voltage (4-wire)	Isolated/ Configurable	Configurable (3-wire)	mV	
Molex	0	1 Red	+ve Supply	+ve Supply	+ve Supply	+ve Supply	+ve Supply	+ve Supply
		2 Yellow	-	+ve Output	+ve Output	+ve Output	+ve Output	+ve Output
		3 Green	-	-	-ve Output	-ve Output	0V common	-ve Output
		4 Blue	-ve Supply	0V common	-ve Supply	-ve Supply	0V common	-ve Supply
		5 Orange	-	-	-	Shunt Cal	Shunt Cal	Shunt Cal
		6 Black	Case	Case	Case	Case	Case	-
Cable (Not Raychem)	1, 3, 4, C	Red	+ve Supply	+ve Supply	+ve Supply	+ve Supply	+ve Supply	+ve Supply
		Yellow	-	+ve Output	+ve Output	+ve Output	+ve Output	+ve Output
		Blue	-	-	-ve Output	-ve Output	0V common	-ve Output
		White	-ve Supply	0V common	-ve Supply	-ve Supply	0V common	-ve Supply
		Orange	-	-	-	Shunt Cal	Shunt Cal	Shunt Cal
		Black	-	-	-	-	-	-
		Screen	-	-	-	-	-	-
Raychem Cable	2	Red	+ve Supply	+ve Supply	+ve Supply	+ve Supply	+ve Supply	+ve Supply
		White	-	+ve Output	+ve Output	+ve Output	+ve Output	+ve Output
		Green	-	-	-ve Output	-ve Output	0V common	-ve Output
		Blue	-ve Supply	0V common	-ve Supply	-ve Supply	0V common	-ve Supply
		Black	-	-	-	Shunt Cal	Shunt Cal	Shunt Cal
		Screen	-	-	-	-	-	-
Bayonet	6, A	A	+ve Supply	+ve Supply	+ve Supply	+ve Supply	+ve Supply	+ve Supply
		B	-ve Supply	+ve Output	+ve Output	+ve Output	+ve Output	+ve Output
		C	-	-	-ve Output	-ve Output	0V common	-ve Output
		D	-	0V common	-ve Supply	-ve Supply	0V common	-ve Supply
		E	-	-	-	Shunt Cal	Shunt Cal	Shunt Cal
		F	-	-	-	-	-	Shunt Cal
DIN A Micro DIN	7 D	1	+ve Supply	+ve Supply	+ve Supply	+ve Supply	+ve Supply	+ve Supply
		2	-ve Supply	0V common	-ve Supply	-ve Supply	0V common	-ve Supply
		3	-	+ve Output	+ve Output	+ve Output	+ve Output	+ve Output
		E	Case	Case	-ve Output	-ve Output	0V common	-ve Output
Bayonet Alternative Wiring Options	E, F	A	+ve Supply	+ve Supply	+ve Supply	+ve Supply	+ve Supply	+ve Supply
		B	-	0V common	-ve Supply	-ve Supply	0V common	-ve Supply
		C	-	+ve Output	+ve Output	+ve Output	+ve Output	+ve Output
		D	-ve Supply	-	-ve Output	-ve Output	0V common	-ve Output
		E	-	-	-	Shunt Cal	Shunt Cal	Shunt Cal
		F	-	-	-	Shunt Cal	Shunt Cal	-
M12 X 1 4-Pin	G	1	+ve Supply	+ve Supply	+ve Supply	+ve Supply	+ve Supply	+ve Supply
		2	-	+ve Output	+ve Output	+ve Output	+ve Output	+ve Output
		3	-ve Supply	0V common	-ve Supply	-ve Supply	0V common	-ve Supply
		4	Case	Case	-ve Output	-ve Output	0V common	-ve Output
Zero Halogen Cable (Demountable)	K	Pink	+ve Supply	+ve Supply	+ve Supply	+ve Supply	+ve Supply	+ve Supply
		White	-	+ve Output	+ve Output	+ve Output	+ve Output	+ve Output
		Green	-	-	-ve Output	-ve Output	0V common	-ve Output
		Blue	-ve Supply	0V common	-ve Supply	-ve Supply	0V common	-ve Supply
		Grey	-	-	-	Shunt Cal	Shunt Cal	Shunt Cal
		Brown	-	-	-	-	-	-
		Yellow	-	-	-	-	-	-
		Screen	-	-	-	-	-	-
Tajimi R03-R6F	M	A	+ve Supply	+ve Supply	+ve Supply	+ve Supply	+ve Supply	+ve Supply
		B	-	0V common	-ve Supply	-ve Supply	0V common	-ve Supply
		C	-ve Supply	Case	Case	Case	Case	-
		D	-	-	-ve Output	-ve Output	0V common	-ve Output
		E	Case	+ve Output	+ve Output	+ve Output	+ve Output	+ve Output
		F	-	-	Shunt cal	Shunt cal	Shunt Cal	Shunt cal

(1) Select model number

Main Product Variant

PMP Amplified Pressure Transducer

PDCR mV Pressure Transducer

PTX 4-20 mA Pressure Transmitter

Product Series

5 UNIK 5000

Diameter and Material

0 25mm Stainless Steel

Electrical Connector Note 6

0 No Electrical Connector Note 7

1 Cable Gland (Polyurethane Cable)

2 Raychem Cable

3 Polyurethane Cable (Depth)

4 Hytrel Cable (Depth)

6 MIL-C-26482 (6-pin Shell Size 10) (Mating connector not supplied)

7 DIN 43650 Form A Demountable (Mating connector supplied)

A Demountable MIL-C-26482 (6-pin Shell Size 10) (Mating connector not supplied)

C 1/2" NPT Conduit (Polyurethane cable)

D Micro DIN (9.4 mm Pitch) (Mating connector supplied)

E MIL-C-26482 (6 pin Shell Size 10) Alternative Wiring (Mating connector not supplied)

F Demountable MIL-C-26482 (6 pin Shell Size 10) Alternative Wiring (Mating connector not supplied)

G M12 x 1 4-pin male (Mating connector not supplied)

K Zero Halogen Cable Demountable

M Tajimi R03-R6F

Electronics Option

0 mV Passive 4-wire (PDCR) Note 1

1 mV Linearised 4-wire (PDCR)

2 4 to 20 mA 2-wire (PTX)

3 0 to 5 V 4-wire (PMP)

4 0 to 5 V 3-wire (PMP)

5 1 to 6 V 3-wire (PMP)

6 0 to 10 V 4-wire (PMP)

7 0.5 to 4.5 V Ratiometric 3-wire (PMP) Note 5

8 Isolated/Configurable 4-wire (PMP) Note 4, 5

9 Configurable 3-wire (PMP) Note 4, 5

Compensated Temperature Range

TA -10 to +50 °C (14 to +122 °F)

TB -20 to +80 °C (-4 to +176 °F)

TC -40 to +80 °C (-40 to +176 °F)

TD -40 to +125 °C (-40 to +257 °F) Note 2, 5

Accuracy

A1 Industrial

A2 Improved

A3 Premium

Calibration

CA Zero/Span Data

CB Room Temperature

CC Full Thermal

Hazardous Area Approval Note 6

H0 None

H1 IECEx/ATEX Intrinsically Safe 'ia' Group IIC

H2 IECEx/ATEX Intrinsically Safe 'ia' Group I

H6 FM (C & US) Intrinsically Safe 'ia' Group IIC/ABCD

HA IECEx/ATEX Intrinsically Safe 'ia' Groups I/IIC [H1 + H2]

HS IECEx/ATEX/FM (C & US) Intrinsically Safe 'ia' Groups IIC/ABCD [H1 + H6]

Pressure Connector

PA G1/4 Female Note 3

PB G1/4 Male Flat

PC G1/4 Male 60° Internal Cone

PD G1/8 Male 60° Internal Cone

PE 1/4 NPT Female Note 3

PF 1/4 NPT Male

PG 1/8 NPT Male

PH M20x1.5

PJ M14x1.5 60° Internal Cone

PK M12x1 Internal Cone

PL 7/16-20 UNJF Male 74° External Cone

PN G1/2 Male via Adaptor Note 3

PQ G1/4 Quick Connect

PR 1/2 NPT Male via adaptor Note 3

PS 1/4 Swagelok Bulkhead

PT G1/4 Male Flat Long

PU 7/16-20 UNF Long 37° flare tip

PV 7/16-20 UNF Female

PW Depth Cone (G1/4 Female open face)

PX 7/16-20 UNF Male Short Flat

PY 3/8-24 UNJF

PZ M10 x 1 80° Internal Cone

RA VCR Female

RB G1/4 Male Flat with Snubber

RC G1/4 Male Flat with Cross Bore Protection

RD M12 x 1.0 74° External Cone

RE Quick Release Mount

RF VCR Male

PTX 5 0 7 2 - TA - A2 - CB - H0 - PA

Typical Model Number

#### Ordering Notes

Note 1 Premium Accuracy is not available on this version

Note 2 Please ensure that the electrical connector selected is option 0, 2, 6, A, E, F or G.

Note 3 Select one of these pressure connectors for pressure ranges over 70 bar

Note 4 Max operating temperature is 80°C (176°F)

Note 5 Hazardous area certifications not available

Note 6 Hazardous area certifications are restricted by electrical connector options in line with the following table:

Approval	Connector										
	0	1	2	3	4	6/E	7	A/F	C	D	G
H1	Y	Y	Y	Y	Y	Y	Y	Y	Y	Y	Y
H2	Y	-	Y	Y	Y	Y	-	-	Y	-	Y
H6	Y	Y	Y	Y	Y	Y	Y	Y	Y	Y	Y
HA	Y	-	Y	Y	Y	Y	-	-	Y	-	Y
HS	Y	Y	Y	Y	Y	Y	Y	Y	Y	Y	Y

Note 7 Has component certification and must be incorporated into certified apparatus with an IP rated enclosure appropriate to the certification type supplied.

#### 2) State pressure range and units: e.g. 0 to 10 bar, -5 to + 5 psi

Unit options are:

Symbol	Description
bar	bar
mbar	millibar
psi	pounds/sq. inch
Pa	Pascal
hPa	hectoPascal
kPa	kiloPascal
MPa	MegaPascal
mmH <sub>2</sub> O	mm water
cmH <sub>2</sub> O	cm water
mH <sub>2</sub> O	metres water
inH <sub>2</sub> O	inches water
ftH <sub>2</sub> O	feet water
mmHg	mm mercury
inHg	inches mercury
kgf/cm <sup>2</sup>	kg force/sq. cm
atm	atmosphere
Torr	torr

#### 3) State Pressure reference: e.g. gauge

Reference options are:

gauge  
absolute  
barometric  
sealed gauge  
wet/dry differential  
wet/wet differential

#### 4) State cable lengths and units: Integer values only, e.g. 1m cable, 8 ft, minimum length 1 m (3 ft) cable (only required on certain electrical connectors), Maximum cable length 190 m (570 ft)

#### 5) Output options 8 and 9: State voltage output at minimum and maximum pressure: e.g. output -1 to 9 V

#### Typical order examples:

PTX5012-TB-A2-CA-H0-PA, 0 to 10 bar, gauge, 3 m cable

PMP5028-TD-A3-CC-H0-PE, -15 to 75 psi, gauge, 15ft cable, output voltage -1 to 5 volts

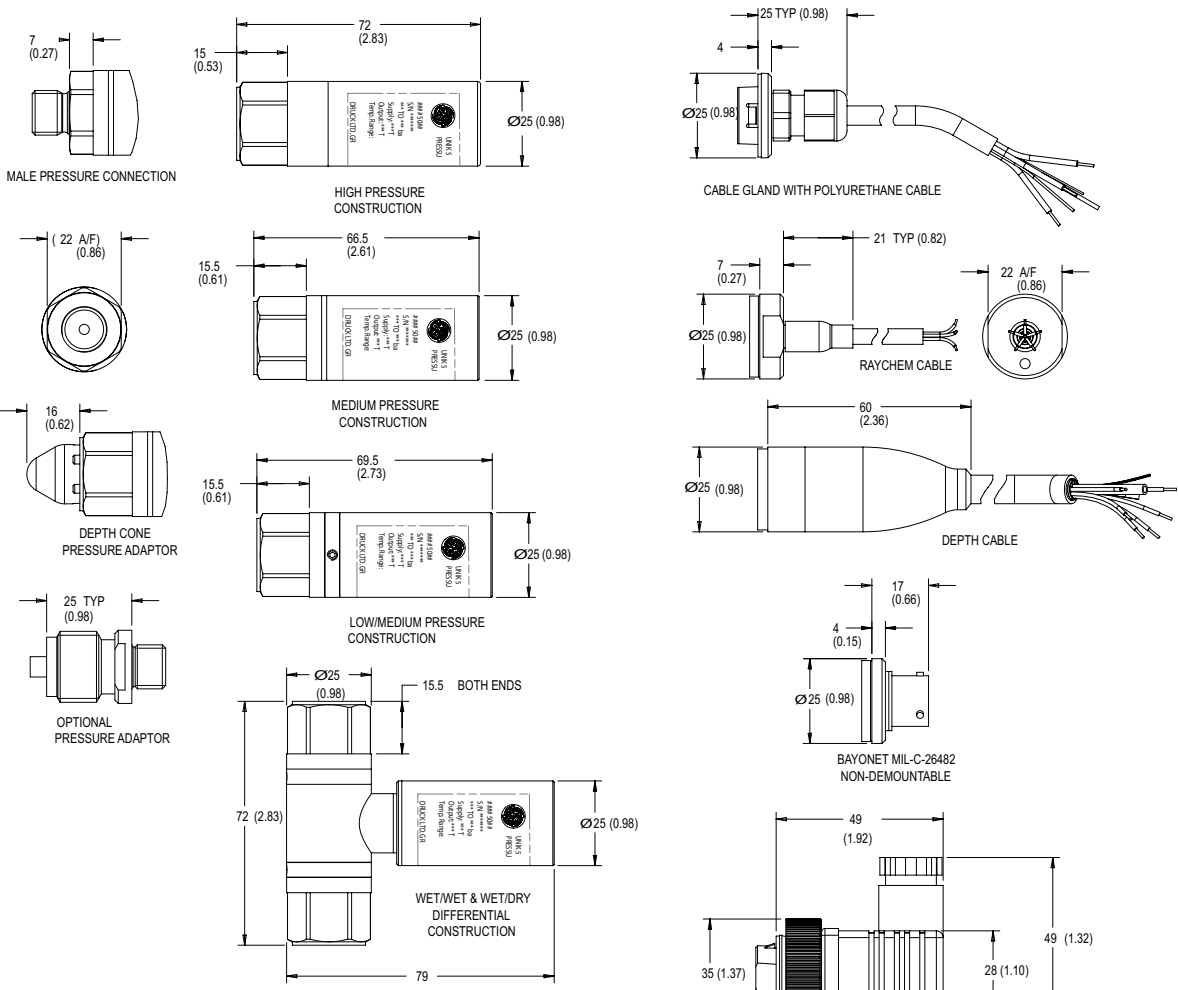
PDCR5071-TB-A1-CB-H0-PB, 0 to 100 bar, sealed gauge

#### Accessories

Mating connector for MIL-C-26482 (Electrical connector options 6, A, E and F) under part number S\_163-009,

Note: Not considered suitable for use in hazardous areas due to light metals content and low ingress protection (IP) rating.

# Mechanical Drawings



**NOTES:**

- [1] DIMENSIONS SHOWN ARE FOR STANDARD LENGTH PRODUCTS WITH THE FOLLOWING ELECTRICAL OUTPUT OPTIONS:  
 mV LINEARISED (PDCR)  
 4 TO 20 mA (PTX)  
 STANDARD VOLTAGE OPTIONS (PMP)

FOR mV PASSIVE (PDCR) - SUBTRACT 10mm (0.39 in)  
 FOR ISOLATED/CONFIGURABLE (PMP) - ADD 15mm (0.59 in)

- [2] REFER TO PAGE 4 FOR LIST OF PRESSURE CONNECTION OPTIONS (ORIENTATION NOT CRITICAL)

- [3] ALL DIMENSIONS ARE IN MILLIMETRES (INCHES IN PARENTHESES)

- (4) **HIGH PRESSURE IS >70 BAR**  
**MEDIUM PRESSURE**  
 INDUSTRIAL ACCURACY >1 BAR ≤ 50 BAR  
 IMPROVED/PREMIUM ACCURACY >2 BAR ≤ 70 BAR  
**LOW/MEDIUM PRESSURE**  
 INDUSTRIAL ACCURACY ≤ 1 BAR, ≥ 50 BAR TO ≤ 70 BAR  
 IMPROVED/PREMIUM ACCURACY ≤ 2 BAR, ≥ 50 BAR TO ≤ 70 BAR

