

DRAWING NUMBER
SD0622-1.0

SURFACE FINISH
UNLESS OTHERWISE STATED 3.2µm

ALL RED SECTIONS MUST BE COMPLETED PRIOR TO MANUFACTURE

DO NOT SCALE

ISS

MOD No.

DATE

1.0

-

04/10/2021

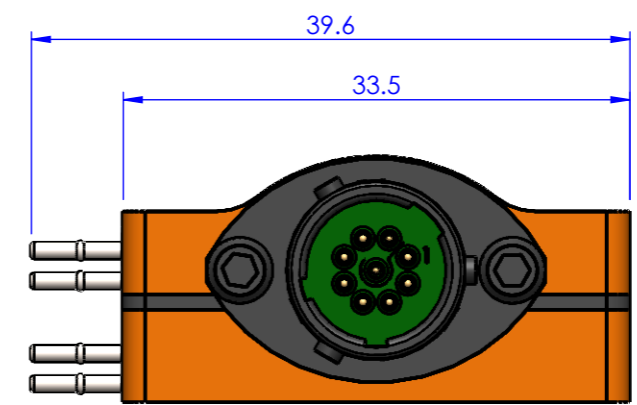
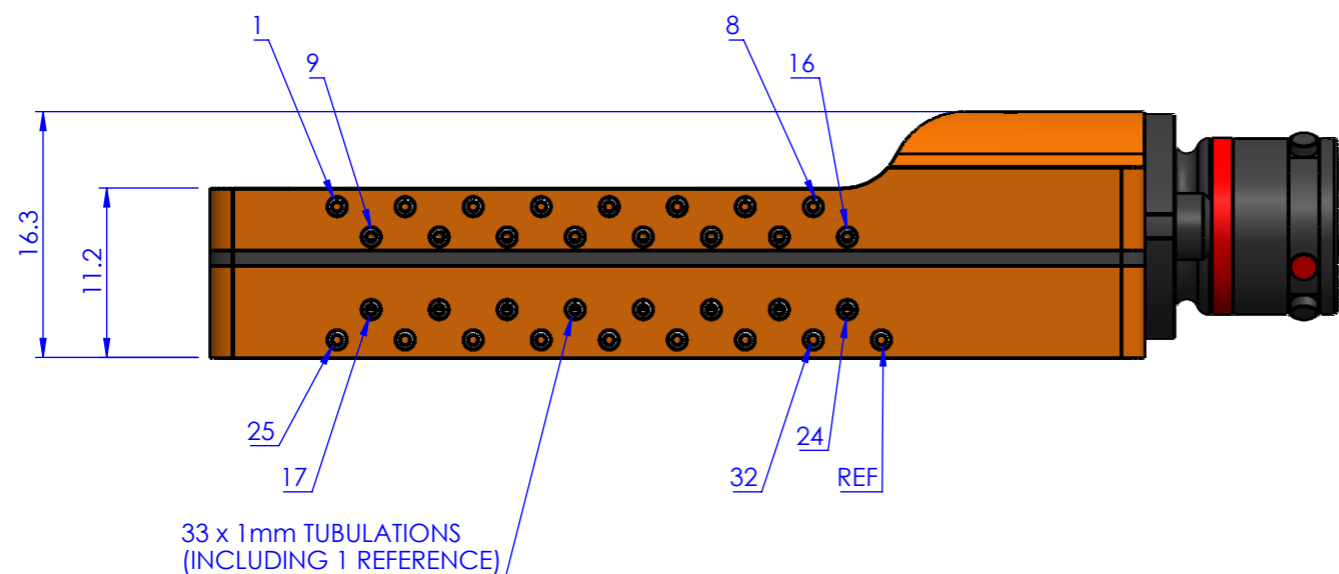
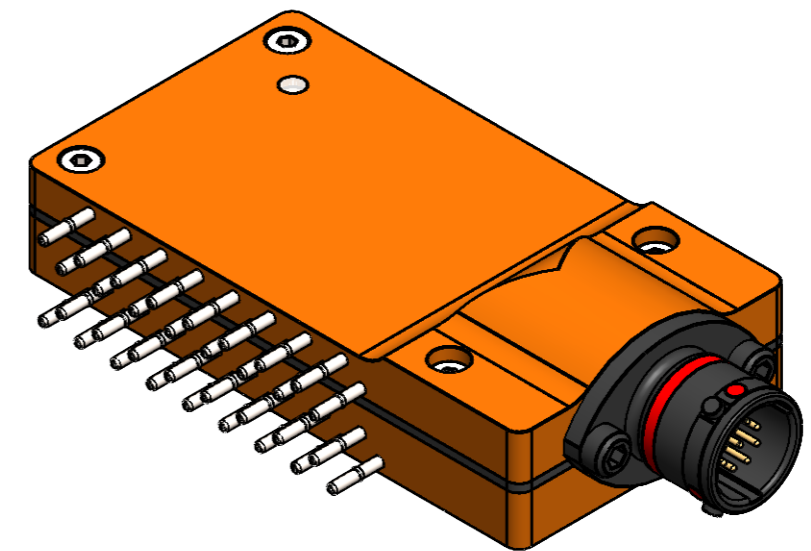
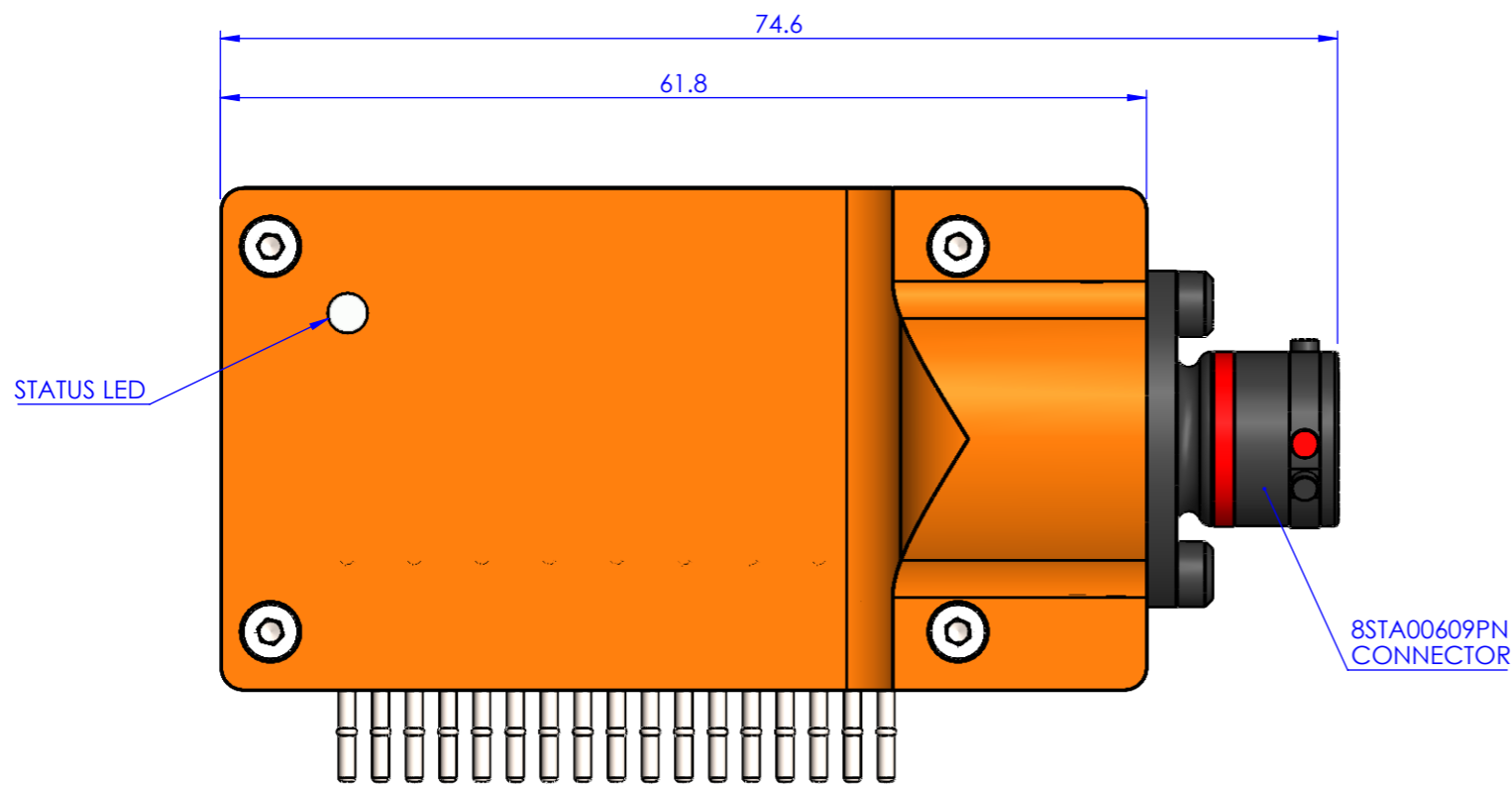
5

4

3

2

1



DESIGN RESPONSIBILITY	
<input checked="" type="checkbox"/> CHELL	<input type="checkbox"/> CUSTOMER
<input type="checkbox"/> OTHER	

CLASS	
<input type="checkbox"/> VACUUM	<input type="checkbox"/> II
<input type="checkbox"/> SEP	<input type="checkbox"/> III
<input checked="" type="checkbox"/> N/A	<input type="checkbox"/> I
	<input type="checkbox"/> IV

Chell INSTRUMENTS LTD
FOLGATE HOUSE
FOLGATE ROAD
NORTH WALSHAM
NORFOLK
NR28 0AJ
TELEPHONE 01692 500555
FAX 01692 500088

PROJECTION
THIRD ANGLE

ORIGINATED	JEH	CHECKED	JREF	CONCEPT APPROVAL	NJB	DESIGN APPROVAL	DAC
------------	-----	---------	------	------------------	-----	-----------------	-----

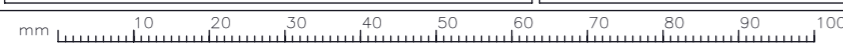
DIMENSIONS IN mm
UNLESS OTHERWISE STATED

MATERIAL	N/A	SPECIFICATION	N/A	VOLUME	N/A	PRESSURE	N/A
PROTECTIVE FINISH	N/A	SCALE	2:1	DATE	04/10/2021		

TOLERANCE UNLESS OTHERWISE STATED		
DIMENSIONS	0	± 0.5 mm
DIMENSIONS	0.0	± 0.1 mm
DIMENSIONS	0.00	± 0.05 mm

TITLE
NANODAQ-LTR-32 ASSEMBLY

DRAWING NUMBER	ISSUE	SIZE
SD0622-1.0	1 OF 1	A3



REMOVE ALL SHARP EDGES AND BURRS

REPORT ALL ERRORS TO DRAWING OFFICE