

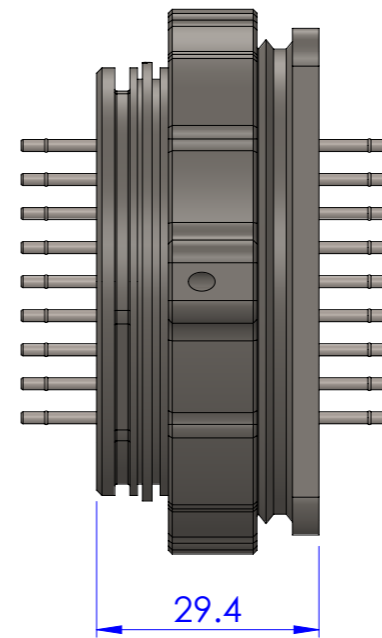
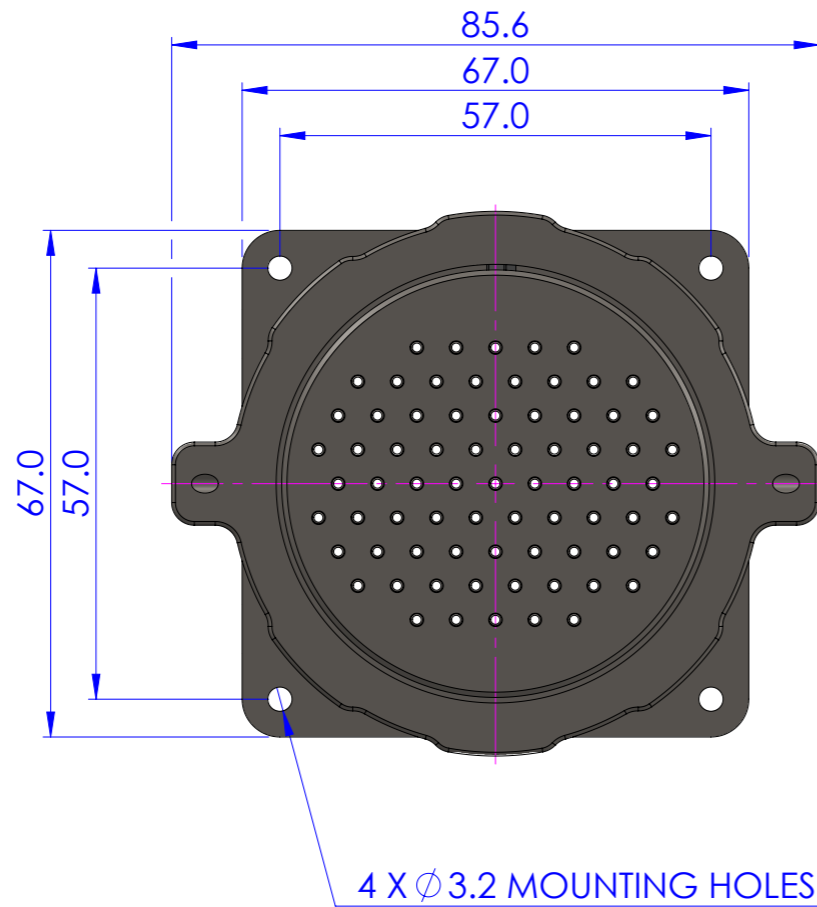
DRAWING NUMBER
SD0614-1.2

SURFACE FINISH
UNLESS OTHERWISE STATED 3.2µm

ALL RED SECTIONS MUST BE COMPLETED PRIOR TO MANUFACTURE

DO NOT SCALE

ISS	MOD No.	DATE
1.0	-	20/05/2021
1.1	4611	27/05/2021
1.2	4913	08/02/2022



CHELL INSTRUMENTS LTD
FOLGATE HOUSE
FOLGATE ROAD
NORTH WALSHAM
NORFOLK
NR28 0AJ
TELEPHONE 01692 500555
FAX 01692 500088

THIS DRAWING IS THE COPYRIGHT OF CHELL INSTRUMENTS LTD.
UNAUTHORISED COPYING OR DISCLOSURE STRICTLY PROHIBITED.

PROJECTION
THIRD ANGLE

DIMENSIONS IN mm
UNLESS OTHERWISE STATED

TOLERANCE UNLESS OTHERWISE STATED
DIMENSIONS 0 ± 0.5 mm
DIMENSIONS 0.0 ± 0.1 mm
DIMENSIONS 0.00 ± 0.05 mm

ORIGINATED JREF

CHECKED JEH

CONCEPT APPROVAL NJB

DESIGN APPROVAL NJB

MATERIAL N/A

SPECIFICATION N/A

VOLUME N/A L PRESSURE N/A BAR

PROTECTIVE FINISH N/A

SCALE 1:1

DATE 20/05/2021

TITLE 73 WAY AQDC-HD TUBULATION ASSEMBLY (WIRE-LOCK)

DESIGN RESPONSIBILITY
 CHELL CUSTOMER
 OTHER

CLASS
 N/A VACUUM II
 SEP III
 I IV

DRAWING NUMBER SD0614-1.2 ISSUE 1 OF 1 SIZE A3



REMOVE ALL SHARP EDGES AND BURRS

REPORT ALL ERRORS TO DRAWING OFFICE