

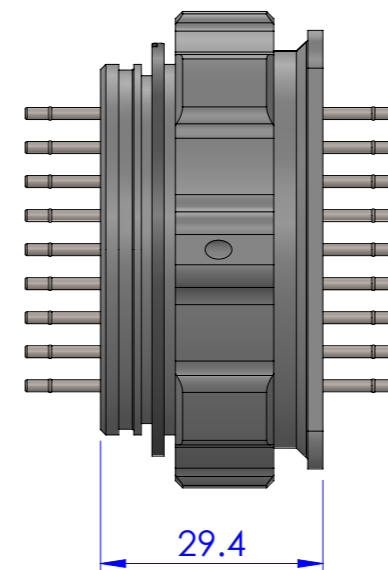
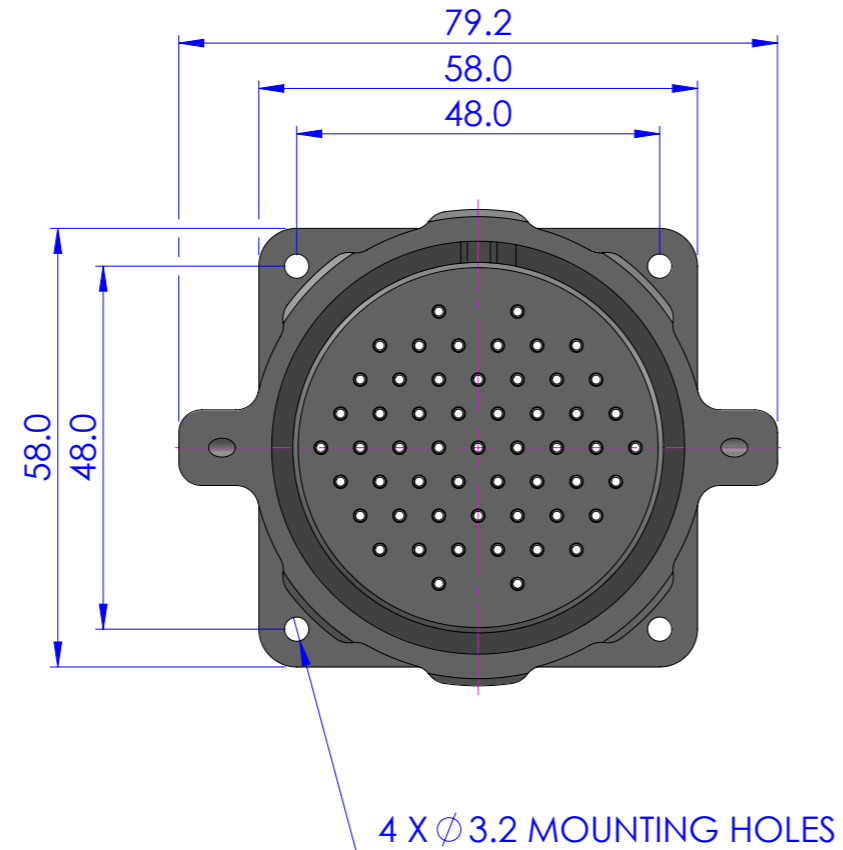
DRAWING NUMBER  
SD0613-1.1

SURFACE FINISH  
UNLESS OTHERWISE STATED 3.2µm

ALL RED SECTIONS MUST BE COMPLETED PRIOR TO MANUFACTURE

DO NOT SCALE

ISS	MOD No.	DATE
1.0	-	20/05/2021
1.1	4915	08/02/2022



DESIGN RESPONSIBILITY

<input checked="" type="checkbox"/> CHELL	<input type="checkbox"/> CUSTOMER
<input type="checkbox"/> OTHER	

**Chell** INSTRUMENTS LTD  
FOLGATE HOUSE  
NORTH WALSHAM  
NORFOLK  
NR28 0AJ  
TELEPHONE 01692 500555  
FAX 01692 500088

PROJECTION  
THIRD ANGLE

ORIGINATED JREF CHECKED JEH CONCEPT APPROVAL NJB DESIGN APPROVAL NJB

DIMENSIONS IN mm  
UNLESS OTHERWISE STATED

MATERIAL N/A SPECIFICATION N/A VOLUME N/A L PRESSURE N/A BAR

TOLERANCE UNLESS OTHERWISE STATED  
DIMENSIONS 0 ± 0.5 mm  
DIMENSIONS 0.0 ± 0.1 mm  
DIMENSIONS 0.00 ± 0.05 mm

PROTECTIVE FINISH N/A SCALE 1:1 DATE 20/05/2021

CLASS  VACUUM  II  
 N/A  SEP  III  
 I  IV

DRAWING NUMBER ISSUE SIZE  
SD0613-1.1 1 OF 1 A3

TITLE  
55 WAY AQDC-HD TUBULATION ASSEMBLY (WIRE-LOCK)



REMOVE ALL SHARP EDGES AND BURRS

REPORT ALL ERRORS TO DRAWING OFFICE