

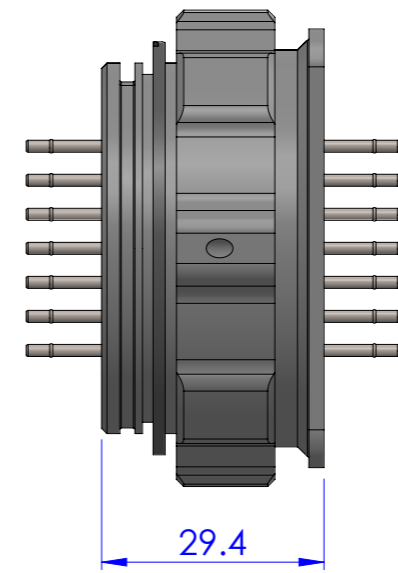
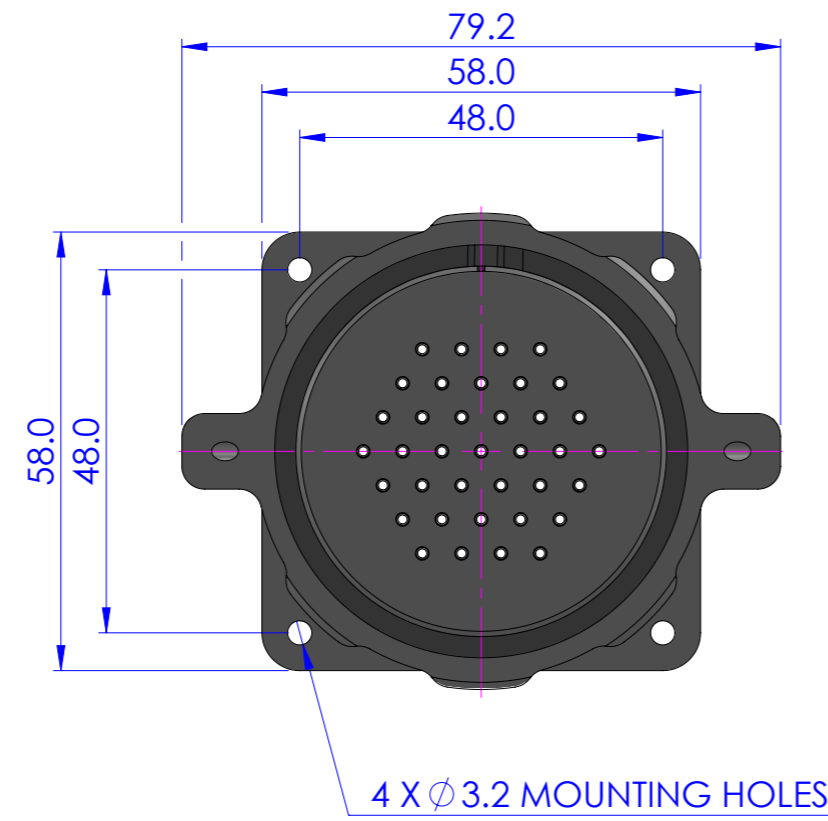
DRAWING NUMBER
SD0612-1.1

SURFACE FINISH
UNLESS OTHERWISE STATED 3.2µm

ALL RED SECTIONS MUST BE COMPLETED PRIOR TO MANUFACTURE

DO NOT SCALE

ISS	MOD No.	DATE
1.0	-	20/05/2021
1.1	4919	09/02/2022



Chell
CHELL INSTRUMENTS LTD
FOLGATE HOUSE
FOLGATE ROAD
NORTH WALSHAM
NORFOLK
NR28 0AJ
TELEPHONE 01692 500555
FAX 01692 500088

PROJECTION
THIRD ANGLE

ORIGINATED JREF

CHECKED JEH

CONCEPT APPROVAL NJB

DESIGN APPROVAL NJB

DIMENSIONS IN mm
UNLESS OTHERWISE STATED

MATERIAL N/A

SPECIFICATION N/A

VOLUME N/A L PRESSURE N/A BAR

TOLERANCE UNLESS OTHERWISE STATED
DIMENSIONS 0 ± 0.5 mm
DIMENSIONS 0.0 ± 0.1 mm
DIMENSIONS 0.00 ± 0.05 mm

PROTECTIVE FINISH N/A

SCALE 1:1

DATE 20/05/2021

DESIGN RESPONSIBILITY
 CHELL CUSTOMER
 OTHER

CLASS
 N/A VACUUM II
 SEP III
 I IV

DRAWING NUMBER ISSUE SIZE
SD0612-1.1 A3
SHEET 1 OF 1

THIS DRAWING IS THE COPYRIGHT OF CHELL INSTRUMENTS LTD.
UNAUTHORISED COPYING OR DISCLOSURE STRICTLY PROHIBITED.



REMOVE ALL SHARP EDGES AND BURRS

REPORT ALL ERRORS TO DRAWING OFFICE

TITLE
37 WAY AQDC-HD TUBULATION ASSEMBLY (WIRE-LOCK)