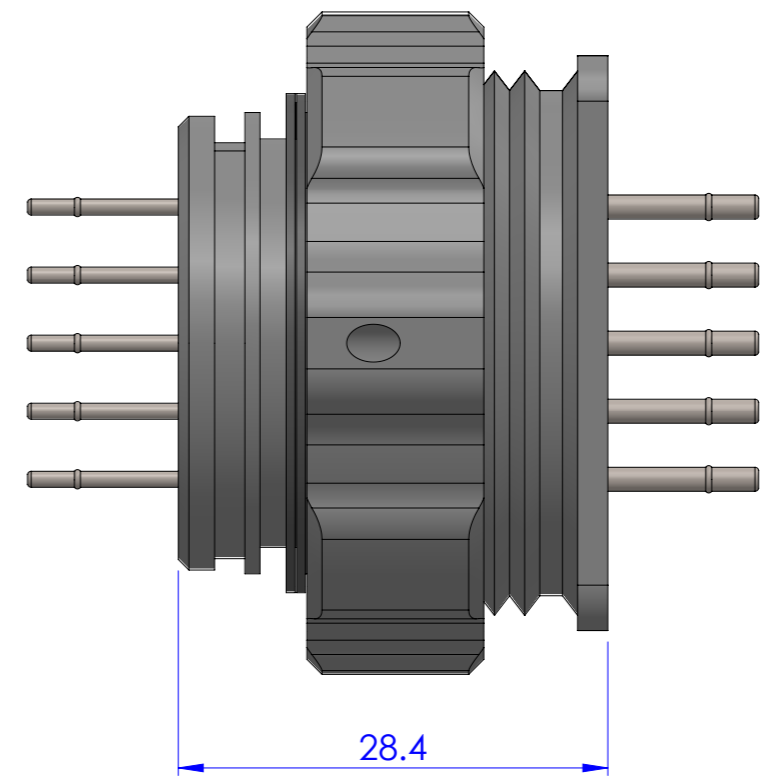
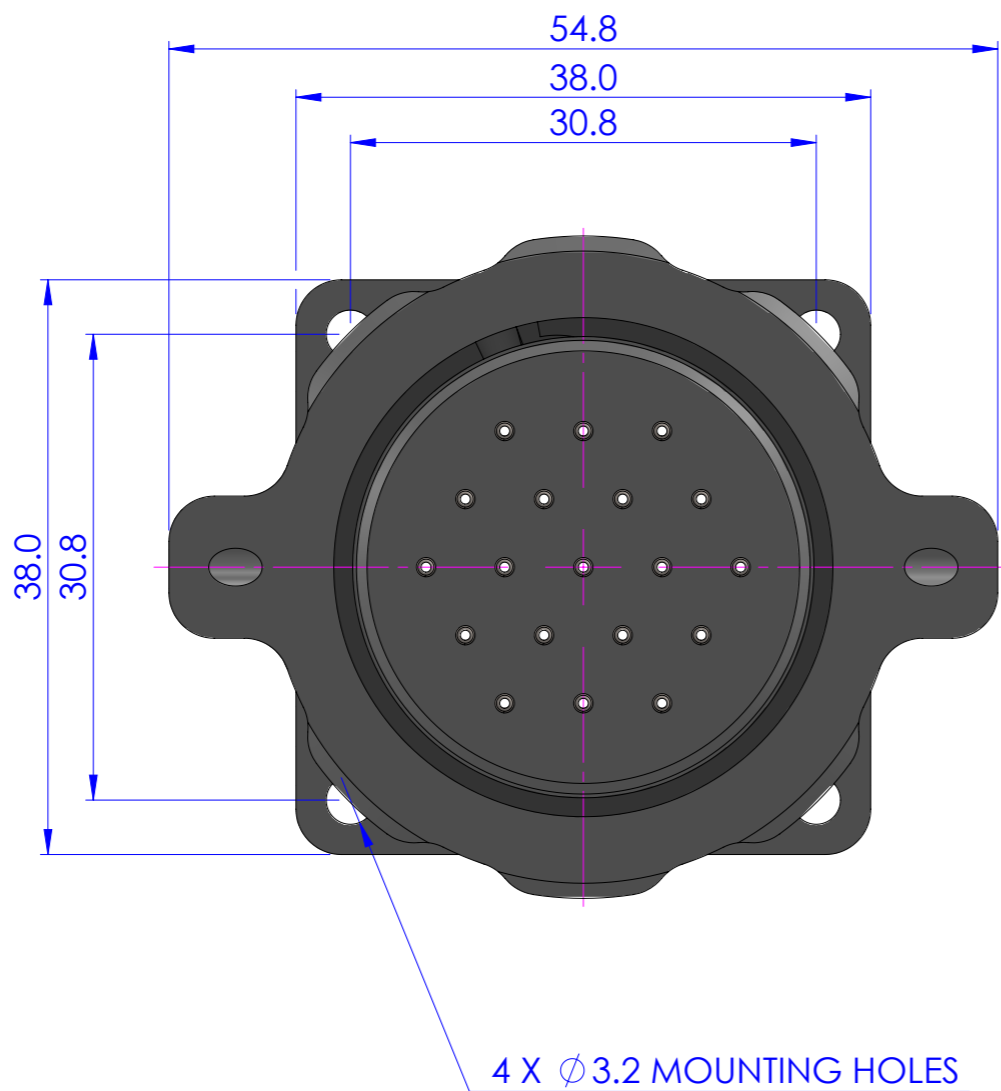


DRAWING NUMBER SD0611-1.1		SURFACE FINISH UNLESS OTHERWISE STATED 3.2µm		ALL RED SECTIONS MUST BE COMPLETED PRIOR TO MANUFACTURE			DO NOT SCALE		ISS	MOD No.	DATE
									1.0	-	20/05/2021
									1.1	4921	09/02/2022



DESIGN RESPONSIBILITY	
<input checked="" type="checkbox"/> CHELL	<input type="checkbox"/> CUSTOMER
<input type="checkbox"/> OTHER	

CLASS	
<input type="checkbox"/> VACUUM	<input type="checkbox"/> II
<input type="checkbox"/> SEP	<input type="checkbox"/> III
<input checked="" type="checkbox"/> N/A	<input type="checkbox"/> I
	<input type="checkbox"/> IV

Chell
CHELL INSTRUMENTS LTD
FOLGATE HOUSE
FOLGATE ROAD
NORTH WALSHAM
NORFOLK
NR28 0AJ
TELEPHONE 01692 500555
FAX 01692 500088

PROJECTION THIRD ANGLE	
DIMENSIONS IN mm UNLESS OTHERWISE STATED	
TOLERANCE UNLESS OTHERWISE STATED	
DIMENSIONS 0	± 0.5 mm
DIMENSIONS 0.0	± 0.1 mm
DIMENSIONS 0.00	± 0.05 mm

ORIGINATED JREF	CHECKED JEH	CONCEPT APPROVAL NJB	DESIGN APPROVAL NJB
MATERIAL N/A	SPECIFICATION N/A	VOLUME N/A L	PRESSURE N/A BAR
PROTECTIVE FINISH N/A	SCALE 2:1	DATE 20/05/21	
TITLE 19 WAY AQDC-HD TUBULATION ASSEMBLY (WIRE-LOCK)			

DRAWING NUMBER SD0611-1.1	ISSUE 1 OF 1	SIZE A3
------------------------------	-----------------	------------



REMOVE ALL SHARP EDGES AND BURRS

REPORT ALL ERRORS TO DRAWING OFFICE