

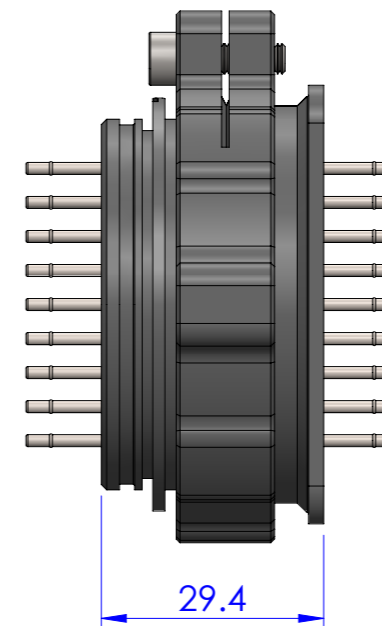
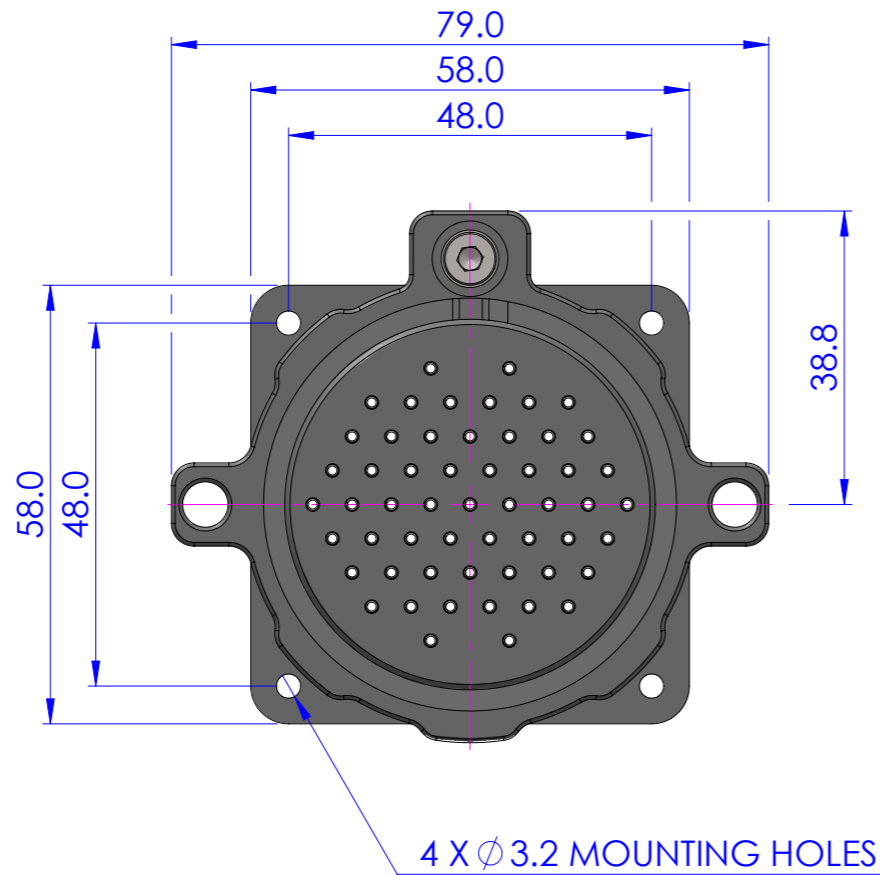
DRAWING NUMBER
SD0610-1.1

SURFACE FINISH
UNLESS OTHERWISE STATED 3.2µm

ALL RED SECTIONS MUST BE COMPLETED PRIOR TO MANUFACTURE

DO NOT SCALE

ISS	MOD No.	DATE
1.0	-	14/05/2021
1.1	4914	08/02/2022



DESIGN RESPONSIBILITY

<input checked="" type="checkbox"/> CHELL	<input type="checkbox"/> CUSTOMER
<input type="checkbox"/> OTHER	

CLASS

<input type="checkbox"/> VACUUM	<input type="checkbox"/> II
<input checked="" type="checkbox"/> N/A	<input type="checkbox"/> III
<input type="checkbox"/> SEP	<input type="checkbox"/> IV
<input type="checkbox"/> I	

Chell INSTRUMENTS LTD
FOLGATE HOUSE
NORTH WALSHAM
NORFOLK
NR28 0AJ
TELEPHONE 01692 500555
FAX 01692 500088

PROJECTION
THIRD ANGLE

ORIGINATED JREF

CHECKED JEH

CONCEPT APPROVAL NJB

DESIGN APPROVAL NJB

DIMENSIONS IN mm
UNLESS OTHERWISE STATED

MATERIAL N/A

SPECIFICATION N/A

VOLUME N/A L PRESSURE N/A BAR

TOLERANCE UNLESS OTHERWISE STATED
DIMENSIONS 0 ± 0.5 mm
DIMENSIONS 0.0 ± 0.1 mm
DIMENSIONS 0.00 ± 0.05 mm

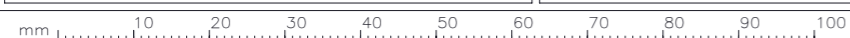
PROTECTIVE FINISH N/A

SCALE 1:1

DATE 14/05/2021

DRAWING NUMBER SD0610-1.1
ISSUE 1 OF 1
SIZE A3

TITLE 55 WAY AQDC-HD TUBULATION ASSEMBLY



REMOVE ALL SHARP EDGES AND BURRS

REPORT ALL ERRORS TO DRAWING OFFICE