

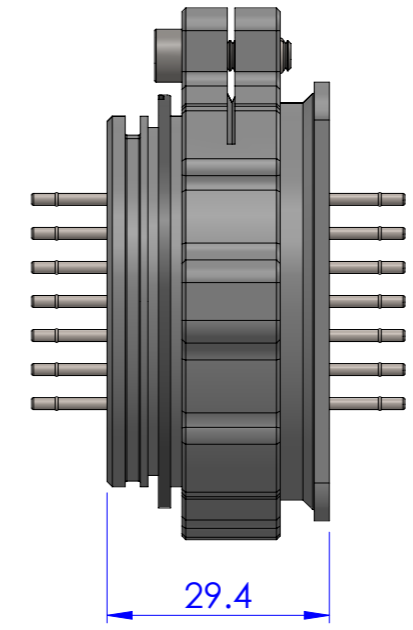
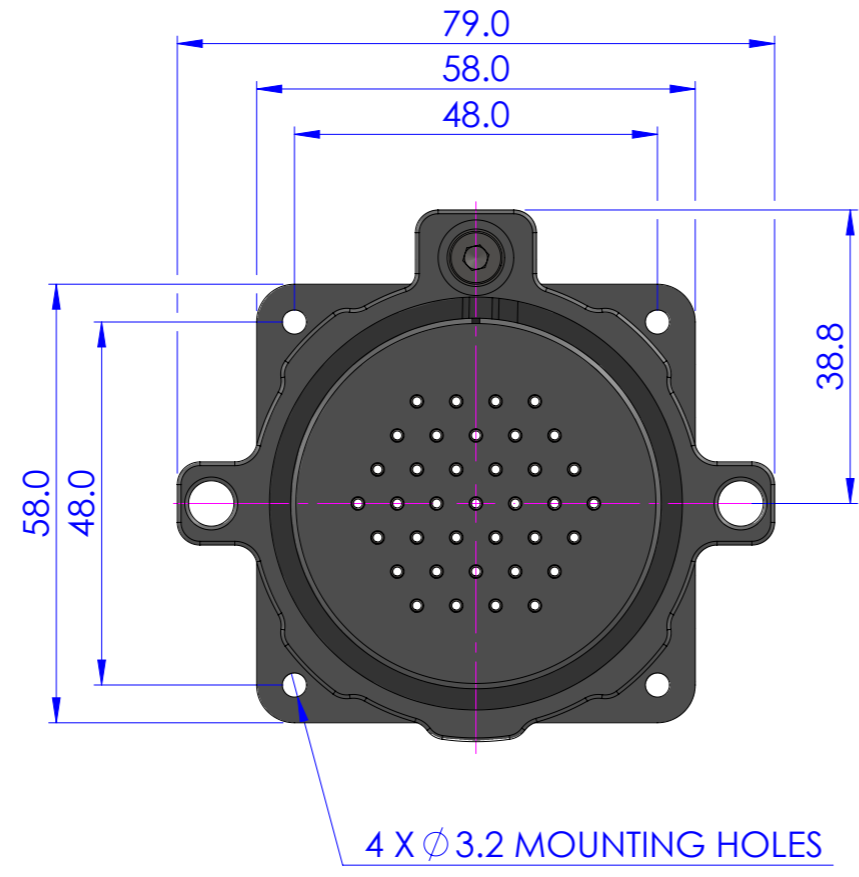
DRAWING NUMBER  
SD0608-1.1

SURFACE FINISH  
UNLESS OTHERWISE STATED 3.2µm

ALL RED SECTIONS MUST BE COMPLETED PRIOR TO MANUFACTURE

DO NOT SCALE

ISS	MOD No.	DATE
1.0	-	12/05/2021
1.1	4916	08/02/2022



**Chell**  
CHELL INSTRUMENTS LTD  
FOLGATE HOUSE  
FOLGATE ROAD  
NORTH WALSHAM  
NORFOLK  
NR28 0AJ  
TELEPHONE 01692 500555  
FAX 01692 500088

PROJECTION  
THIRD ANGLE

DIMENSIONS IN mm  
UNLESS OTHERWISE STATED

TOLERANCE UNLESS OTHERWISE STATED

DIMENSIONS	0	± 0.5 mm
DIMENSIONS	0.0	± 0.1 mm
DIMENSIONS	0.00	± 0.05 mm

ORIGINATED JREF	CHECKED JEH	CONCEPT APPROVAL NJB	DESIGN APPROVAL NJB
MATERIAL N/A	SPECIFICATION N/A	VOLUME N/A L	PRESSURE N/A BAR
PROTECTIVE FINISH N/A	SCALE 1:1	DATE 12/05/2021	
TITLE 37 WAY AQDC-HD TUBULATION ASSEMBLY			

DESIGN RESPONSIBILITY

CHELL  CUSTOMER  
 OTHER

CLASS

N/A  VACUUM  II  
 SEP  III  
 I  IV

DRAWING NUMBER  
SD0608-1.1

ISSUE  
1 OF 1

SIZE  
A3



REMOVE ALL SHARP EDGES AND BURRS

REPORT ALL ERRORS TO DRAWING OFFICE