

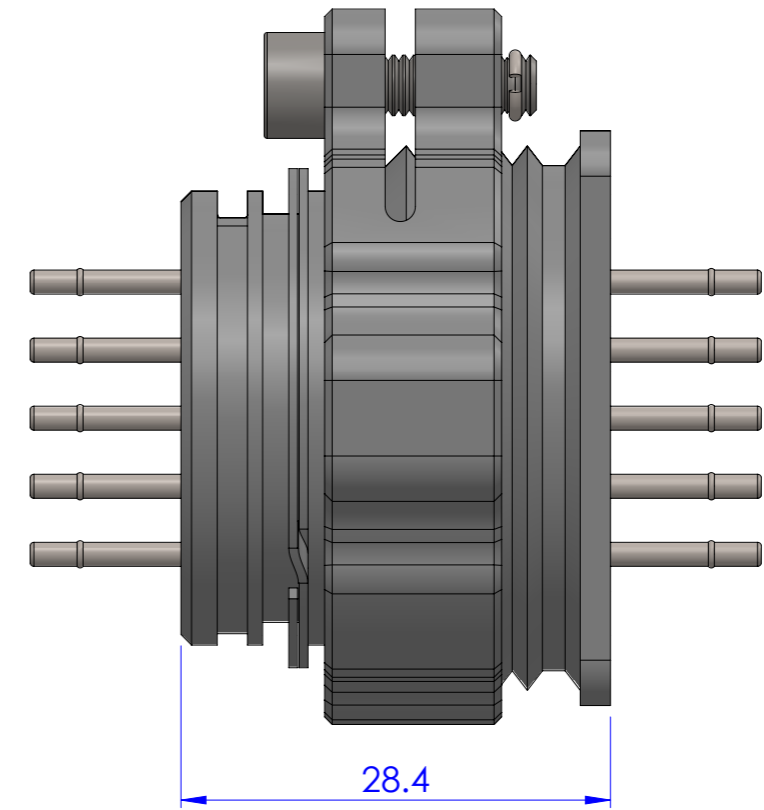
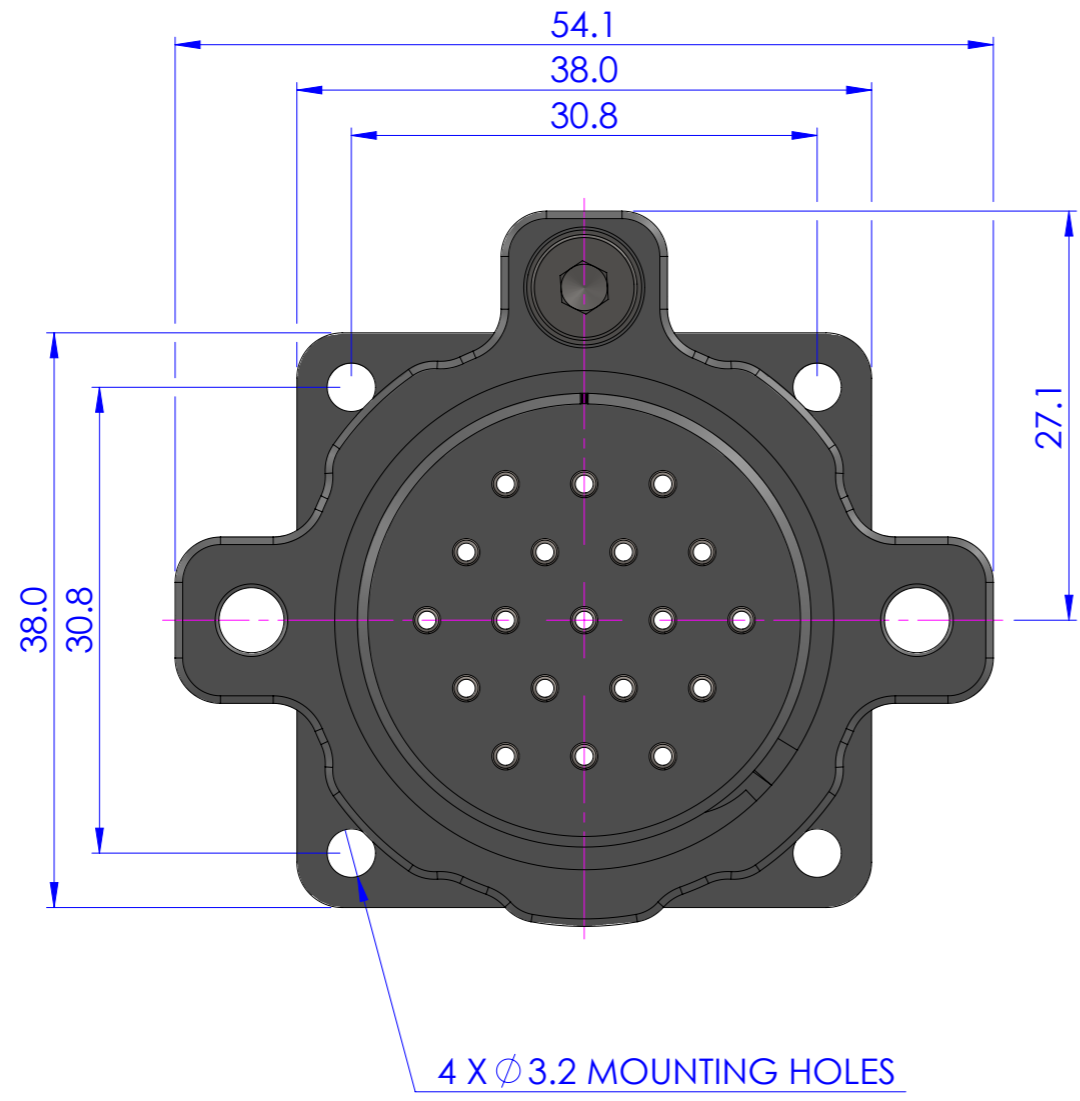
DRAWING NUMBER
SD0607-1.1

SURFACE FINISH
UNLESS OTHERWISE STATED 3.2µm

ALL RED SECTIONS MUST BE COMPLETED PRIOR TO MANUFACTURE

DO NOT SCALE

ISS	MOD No.	DATE
1.0	-	12/05/2021
1.1	4920	09/02/2022



DESIGN RESPONSIBILITY

<input checked="" type="checkbox"/> CHELL	<input type="checkbox"/> CUSTOMER
<input type="checkbox"/> OTHER	

CLASS

<input type="checkbox"/> VACUUM	<input type="checkbox"/> II
<input type="checkbox"/> SEP	<input type="checkbox"/> III
<input checked="" type="checkbox"/> N/A	<input type="checkbox"/> I
<input type="checkbox"/> I	<input type="checkbox"/> IV

Chell
CHELL INSTRUMENTS LTD
FOLGATE HOUSE
FOLGATE ROAD
NORTH WALSHAM
NORFOLK
NR28 0AJ
TELEPHONE 01692 500555
FAX 01692 500088

PROJECTION
THIRD ANGLE

ORIGINATED JREF

CHECKED JEH

CONCEPT APPROVAL NJB

DESIGN APPROVAL NJB

DIMENSIONS IN mm
UNLESS OTHERWISE STATED

MATERIAL N/A

SPECIFICATION N/A

VOLUME N/A L PRESSURE N/A BAR

TOLERANCE UNLESS OTHERWISE STATED
DIMENSIONS 0 ± 0.5 mm
DIMENSIONS 0.0 ± 0.1 mm
DIMENSIONS 0.00 ± 0.05 mm

PROTECTIVE FINISH N/A

SCALE 2:1

DATE 12/05/2021

DRAWING NUMBER SD0607-1.1
ISSUE 1 OF 1
SIZE A3

TITLE 19 WAY AQDC-HD TUBULATION ASSEMBLY



REMOVE ALL SHARP EDGES AND BURRS

REPORT ALL ERRORS TO DRAWING OFFICE