

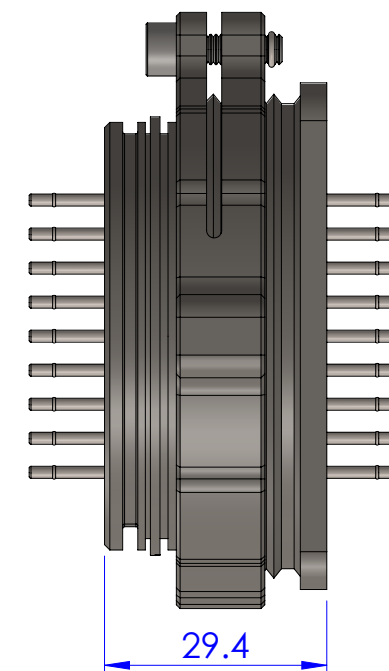
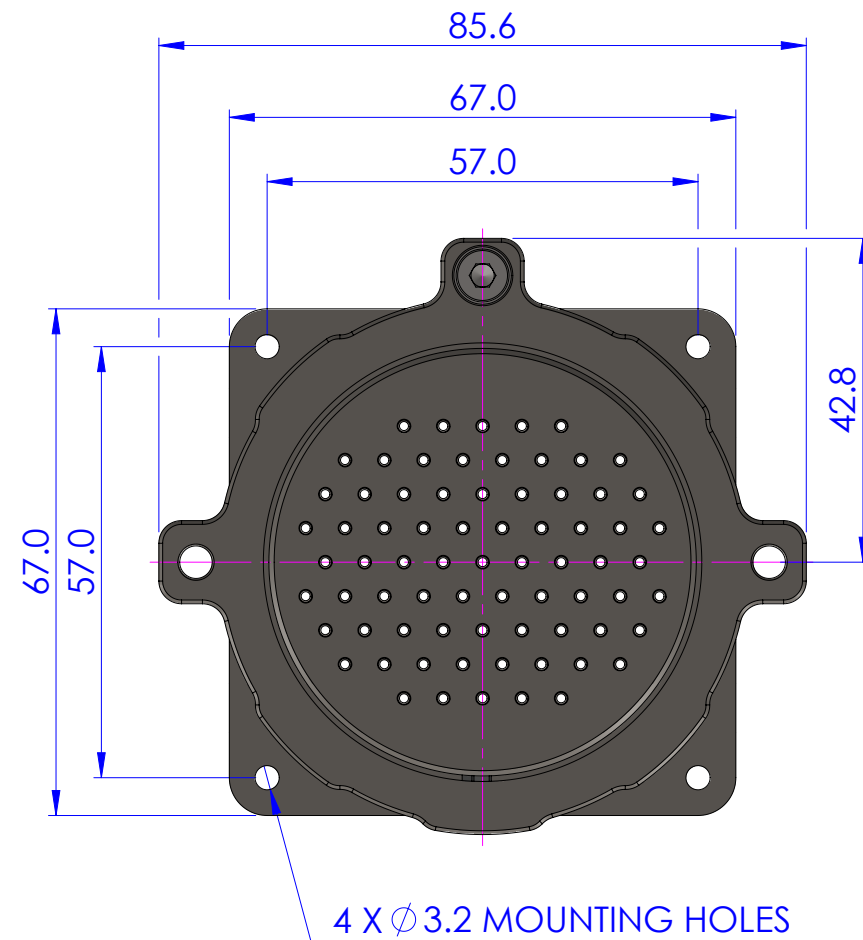
DRAWING NUMBER  
SD0605-1.3

SURFACE FINISH  
UNLESS OTHERWISE STATED 3.2µm

ALL RED SECTIONS MUST BE COMPLETED PRIOR TO MANUFACTURE

DO NOT SCALE

ISS	MOD No.	DATE
1.0	-	10/05/2021
1.1	4568	20/05/2021
1.2	4611	27/05/2021
1.3	4912	08/02/2022



DESIGN RESPONSIBILITY

<input checked="" type="checkbox"/> CHELL	<input type="checkbox"/> CUSTOMER
<input type="checkbox"/> OTHER	

CLASS

<input type="checkbox"/> VACUUM	<input type="checkbox"/> II
<input checked="" type="checkbox"/> N/A	<input type="checkbox"/> III
<input type="checkbox"/> SEP	<input type="checkbox"/> IV
<input type="checkbox"/> I	

**Chell** INSTRUMENTS LTD  
FOLGATE HOUSE  
NORTH WALSHAM  
NORFOLK  
NR28 0AJ  
TELEPHONE 01692 500555  
FAX 01692 500088

PROJECTION  
THIRD ANGLE

ORIGINATED JREF

CHECKED JEH

CONCEPT APPROVAL NJB

DESIGN APPROVAL NJB

DIMENSIONS IN mm  
UNLESS OTHERWISE STATED

MATERIAL N/A

SPECIFICATION N/A

VOLUME N/A L PRESSURE N/A BAR

TOLERANCE UNLESS OTHERWISE STATED  
DIMENSIONS 0 ± 0.5 mm  
DIMENSIONS 0.0 ± 0.1 mm  
DIMENSIONS 0.00 ± 0.05 mm

PROTECTIVE FINISH N/A

SCALE 1:1

DATE 10/05/2021

DRAWING NUMBER SD0605-1.3  
ISSUE 1 OF 1  
SIZE A3

TITLE 73 WAY AQDC-HD TUBULATION ASSEMBLY



REMOVE ALL SHARP EDGES AND BURRS

REPORT ALL ERRORS TO DRAWING OFFICE