

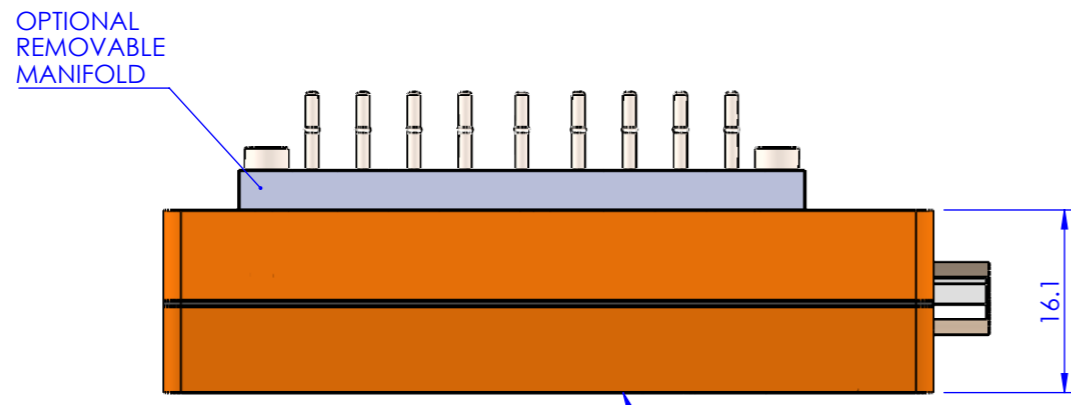
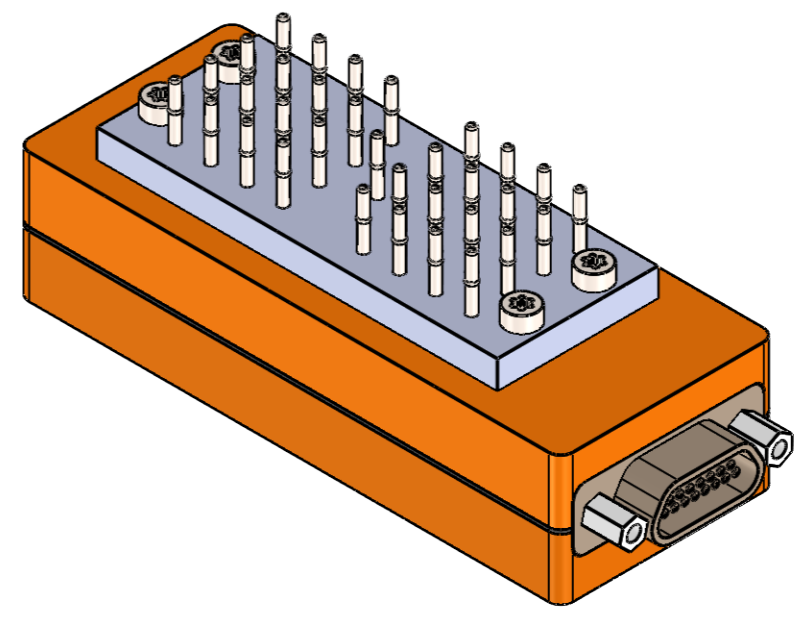
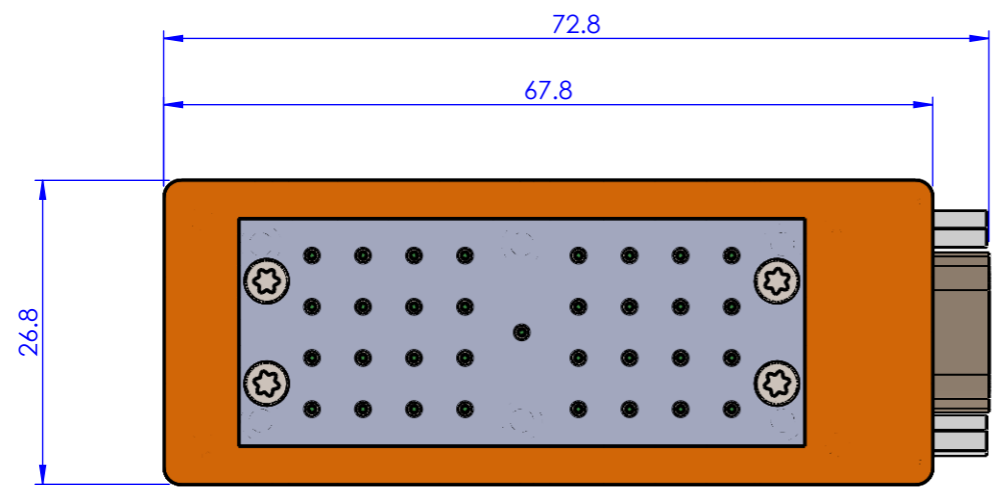
DRAWING NUMBER
SD0604-1.1

SURFACE FINISH
UNLESS OTHERWISE STATED 3.2µm

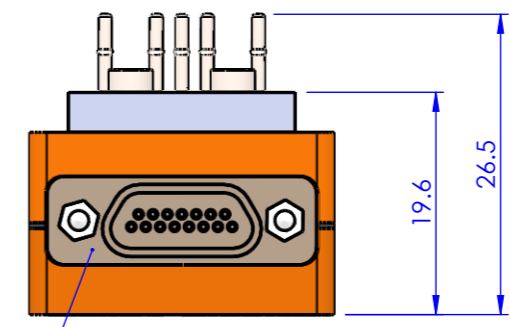
ALL RED SECTIONS MUST BE COMPLETED PRIOR TO MANUFACTURE

DO NOT SCALE

ISS	MOD No.	DATE
1.0	-	08/04/2021
1.1	4662	15/07/2021



- STATUS LEDS (ON UNDERSIDE)
- LINK / ACTIVITY IN
 - LINK / ACTIVITY OUT
 - ETHERCAT RUN
 - ETHERCAT ERROR
 - RUN / FUNC



15 WAY D TYPE CONNECTOR

DESIGN RESPONSIBILITY

<input checked="" type="checkbox"/> CHELL	<input type="checkbox"/> CUSTOMER
<input type="checkbox"/> OTHER	

CHELL INSTRUMENTS LTD
FOLGATE HOUSE
FOLGATE ROAD
NORTH WALSHAM
NORFOLK
NR28 0AJ
TELEPHONE 01692 500555
FAX 01692 500088

PROJECTION
THIRD ANGLE

ORIGINATED JEH	CHECKED MJC	CONCEPT APPROVAL NJB	DESIGN APPROVAL NJB
-------------------	----------------	-------------------------	------------------------

DIMENSIONS IN mm
UNLESS OTHERWISE STATED

MATERIAL N/A	SPECIFICATION N/A	VOLUME N/A L	PRESSURE N/A BAR
-----------------	----------------------	-----------------	---------------------

TOLERANCE UNLESS OTHERWISE STATED

DIMENSIONS	0	± 0.5 mm
DIMENSIONS	0.0	± 0.1 mm
DIMENSIONS	0.00	± 0.05 mm

PROTECTIVE FINISH N/A	SCALE 3:2	DATE 08/04/2021
--------------------------	--------------	--------------------

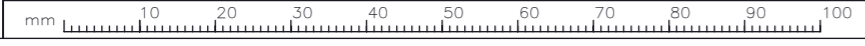
CLASS

<input type="checkbox"/> VACUUM	<input type="checkbox"/> II
<input type="checkbox"/> SEP	<input type="checkbox"/> III
<input checked="" type="checkbox"/> N/A	<input type="checkbox"/> I
	<input type="checkbox"/> IV

THIS DRAWING IS THE COPYRIGHT OF CHELL INSTRUMENTS LTD.
UNAUTHORISED COPYING OR DISCLOSURE STRICTLY PROHIBITED.

TITLE
NANOCAT-LTM-32 ASSEMBLY

DRAWING NUMBER SD0604-1.1	ISSUE 1	SIZE A3
SHEET 1 OF 1		



REMOVE ALL SHARP EDGES AND BURRS

REPORT ALL ERRORS TO DRAWING OFFICE