

DRAWING NUMBER  
SD0518-1.1

SURFACE FINISH  
UNLESS OTHERWISE STATED 3.2µm

ALL RED SECTIONS MUST BE COMPLETED PRIOR TO MANUFACTURE

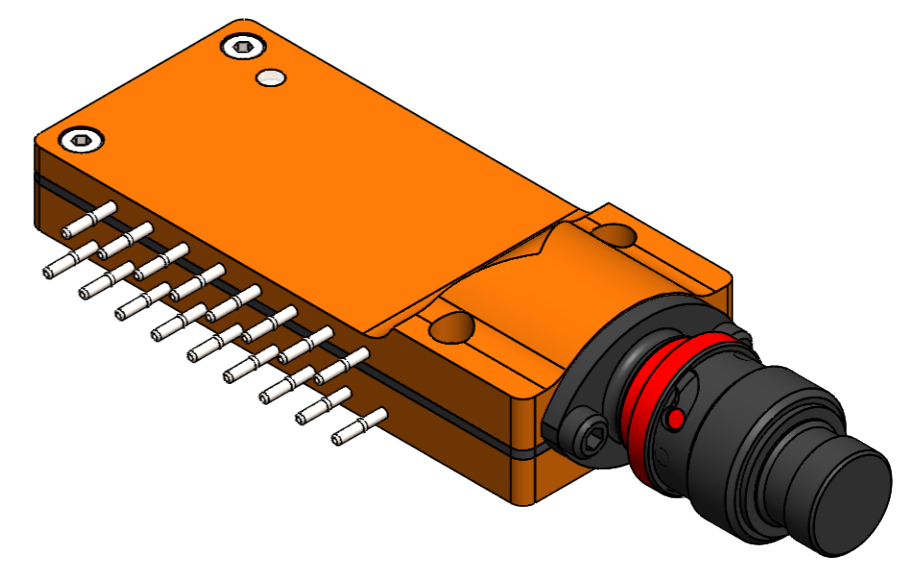
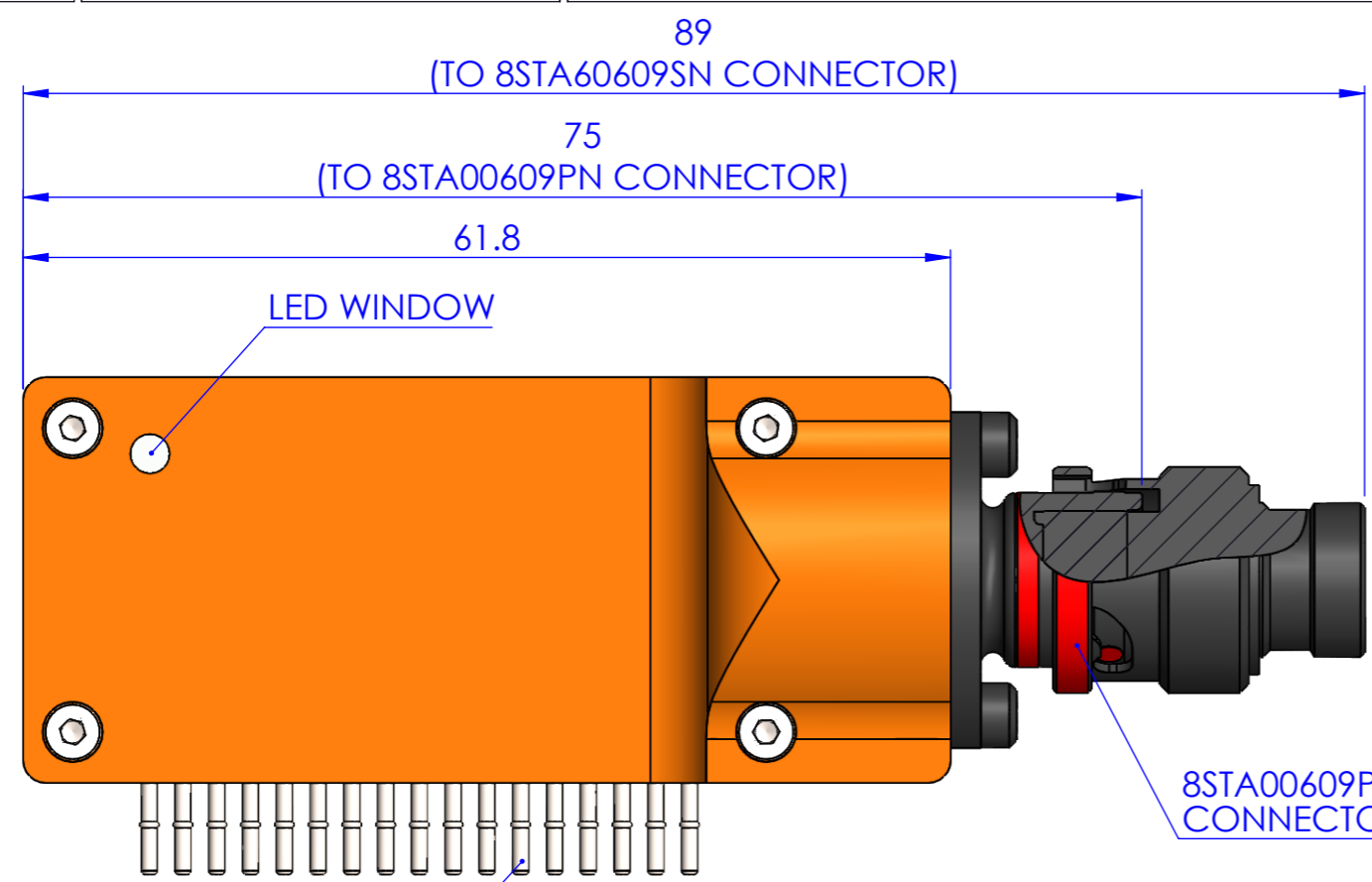
DO NOT SCALE

ISS  
1.1

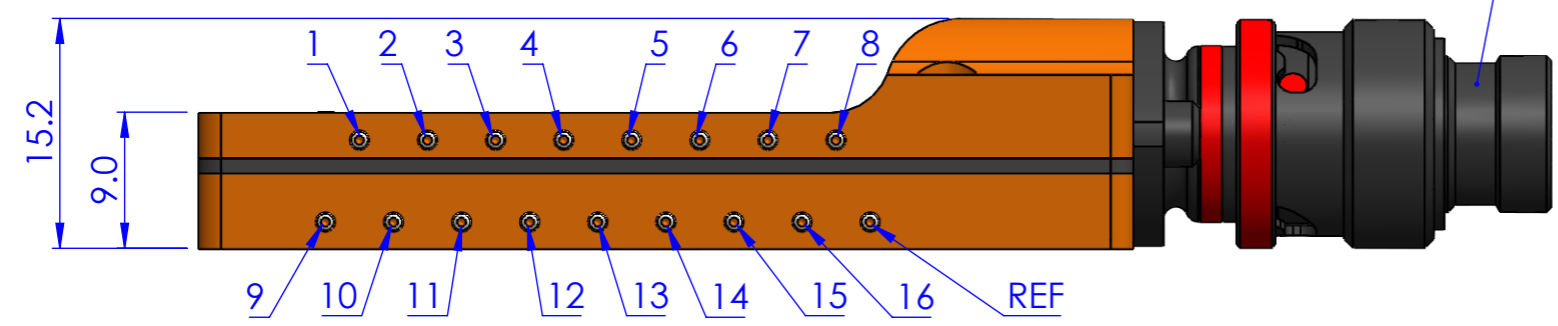
MOD No.  
3310

DATE  
14/06/2018

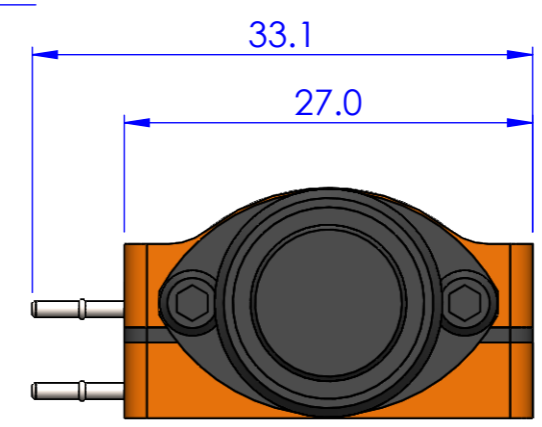
5  
4  
3  
2



17 x 1mm TUBULATIONS  
(INCLUDING 1 REFERENCE)



8STA60609SN  
CONNECTOR



- CONNECTOR  
PIN OUT:
1. TX+
  2. RX+
  3. TRIGGER IN
  4. +8-25v SUPPLY
  5. 0v
  6. CAN H
  7. CAN L
  8. TX-
  9. RX-

DESIGN RESPONSIBILITY	
<input checked="" type="checkbox"/> CHELL	<input type="checkbox"/> CUSTOMER
<input type="checkbox"/> OTHER	

CLASS			
<input type="checkbox"/> VACUUM	<input type="checkbox"/> II	<input type="checkbox"/> III	<input type="checkbox"/> IV
<input checked="" type="checkbox"/> N/A	<input type="checkbox"/> I	<input type="checkbox"/>	<input type="checkbox"/>

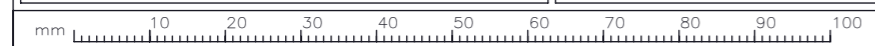
CHELL INSTRUMENTS LTD  
FOLGATE HOUSE  
FOLGATE ROAD  
NORTH WALSHAM  
NORFOLK  
NR28 0AJ  
TELEPHONE 01692 500555  
FAX 01692 500088

PROJECTION THIRD ANGLE	
DIMENSIONS IN mm UNLESS OTHERWISE STATED	
TOLERANCE UNLESS OTHERWISE STATED	
DIMENSIONS 0	± 0.5 mm
DIMENSIONS 0.0	± 0.1 mm
DIMENSIONS 0.00	± 0.05 mm

ORIGINATED JEH	CHECKED DAC	CONCEPT APPROVAL NJB	DESIGN APPROVAL DAC
MATERIAL N/A		SPECIFICATION N/A	
PROTECTIVE FINISH N/A		SCALE 2:1	DATE 07/06/2018
TITLE NANODAQ-LTR-16 ASSEMBLY			

VOLUME N/A	L	PRESSURE N/A	BAR
---------------	---	-----------------	-----

DRAWING NUMBER SD0518-1.1	ISSUE 1 OF 1	SIZE A3
------------------------------	-----------------	------------



REMOVE ALL SHARP EDGES AND BURRS

REPORT ALL ERRORS TO DRAWING OFFICE