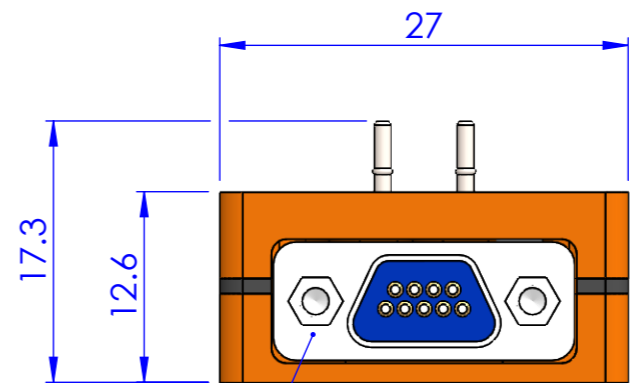
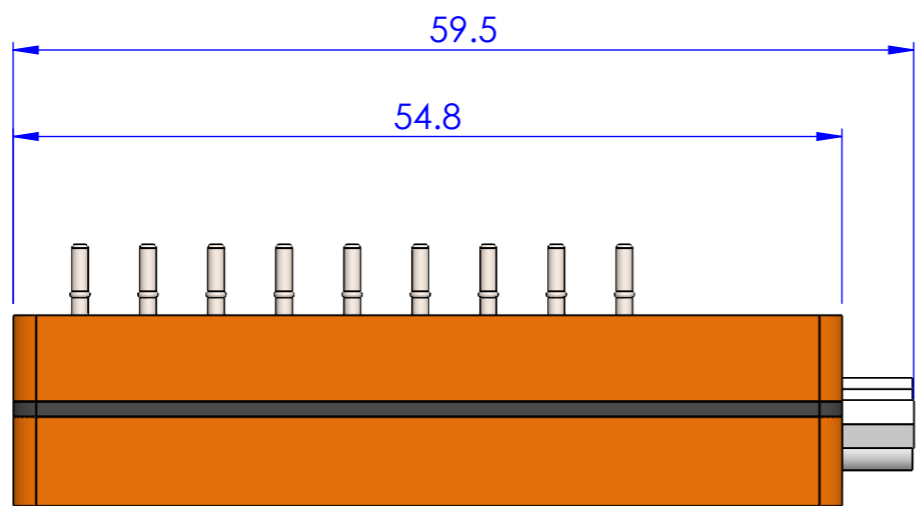
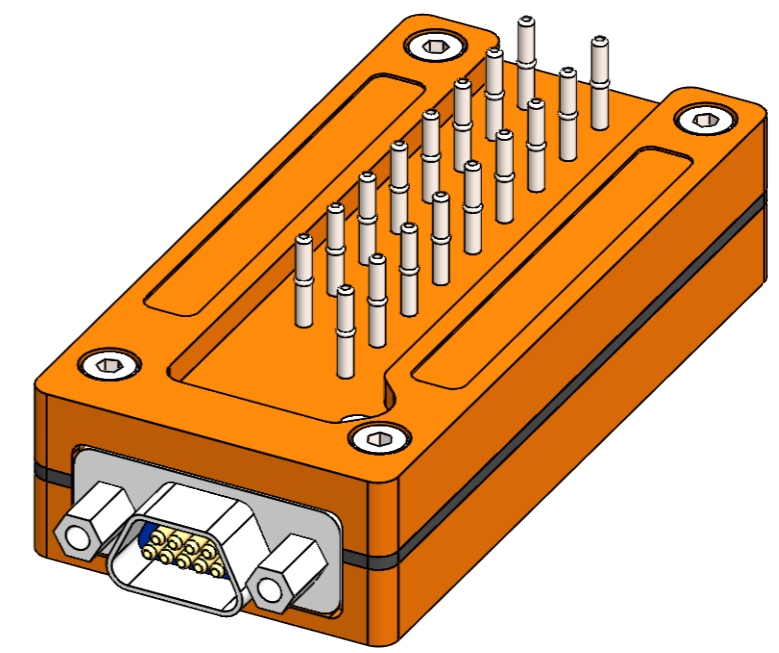
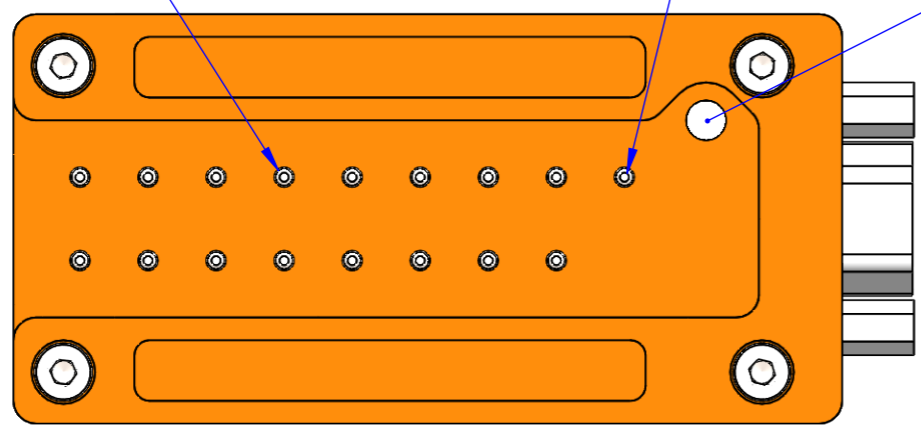


DRAWING NUMBER SD0483-1.1		SURFACE FINISH UNLESS OTHERWISE STATED 3.2µm		ALL RED SECTIONS MUST BE COMPLETED PRIOR TO MANUFACTURE			DO NOT SCALE		ISS	MOD No.	DATE
									1.1	3491	11/10/2018

17 x 1mm TUBULATIONS

REFERENCE TUBULATION

STATUS LED



9 WAY MICRO D TYPE CONNECTOR

DESIGN RESPONSIBILITY	
<input checked="" type="checkbox"/> CHELL	<input type="checkbox"/> CUSTOMER
<input type="checkbox"/> OTHER	

CLASS			
<input type="checkbox"/> VACUUM	<input type="checkbox"/> II	<input type="checkbox"/> SEP	<input type="checkbox"/> III
<input checked="" type="checkbox"/> N/A	<input type="checkbox"/> I	<input type="checkbox"/>	<input type="checkbox"/> IV

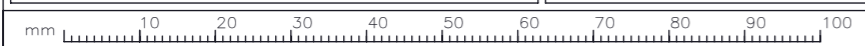
**Chell** INSTRUMENTS LTD  
 FOLGATE HOUSE  
 FOLGATE ROAD  
 NORTH WALSHAM  
 NORFOLK  
 NR28 0AJ  
 TELEPHONE 01692 500555  
 FAX 01692 500088

PROJECTION THIRD ANGLE	
DIMENSIONS IN mm UNLESS OTHERWISE STATED	
TOLERANCE UNLESS OTHERWISE STATED	
DIMENSIONS 0	± 0.5 mm
DIMENSIONS 0.0	± 0.1 mm
DIMENSIONS 0.00	± 0.05 mm

ORIGINATED	JEH	CHECKED	DAC	CONCEPT APPROVAL	NJB	DESIGN APPROVAL	DAC
MATERIAL	N/A		SPECIFICATION	N/A		VOLUME	PRESSURE
PROTECTIVE FINISH	N/A		SCALE	2:1		DATE	20/03/2017
TITLE NANODAQ-LT-16 ASSEMBLY							

CLASS	<input type="checkbox"/> VACUUM	<input type="checkbox"/> II
	<input type="checkbox"/> SEP	<input type="checkbox"/> III
	<input type="checkbox"/> I	<input type="checkbox"/> IV
DRAWING NUMBER	ISSUE	SIZE
SD0483-1.1	1	A3
SHEET 1 OF 1		

THIS DRAWING IS THE COPYRIGHT OF CHELL INSTRUMENTS LTD.  
 UNAUTHORISED COPYING OR DISCLOSURE STRICTLY PROHIBITED.



REMOVE ALL SHARP EDGES AND BURRS

REPORT ALL ERRORS TO DRAWING OFFICE