



QUICK DISCONNECTS

QDCC & QDCS

The Pressure Systems Quick Disconnect Products from TE Connectivity provide the ability to rapidly connect and disconnect large numbers of pressure measurement tubes. Available as bulkhead mounted circular or rectangular inline models they complement our miniature ESP, NetScanner Rackmount and NetScanner Intelligent Pressure Scanners. These quick-disconnects provide easy connections that can handle pressures up to 750 psi. They are available in a variety of port number configurations to enable disconnection of scanner measurement pressures and associated calibration, control and reference pressures. They utilize stainless steel bulged tubes which are compatible with 0.040", 0.063" nominal inner diameter pressure tubing.

These quick disconnects can be used with the same diameter tubing on both sides. They can also be used as reducers, which change the tubing diameter. The 37 and 55 port circular units incorporate standard machined slots for the optional use of locking wire in high vibration environments. Blank halves are available to dead-end the pneumatic lines to prevent contaminants from entering the tubing bundles. Available compatible accessories include; nylon tubing, polyurethane tubing, retaining springs and tubing pliers to assist in making all the pneumatic connections.

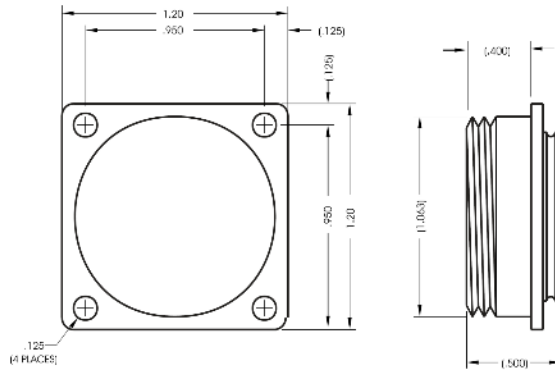
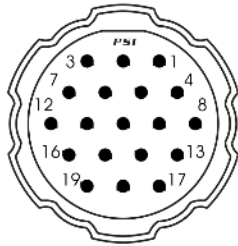
FEATURES

- Bulkhead Mounted with Easy Twistoff Connection
- In Line Model with Screw Connection
- Individual Port with Static O-ring Configuration
- Locking Wire Provision

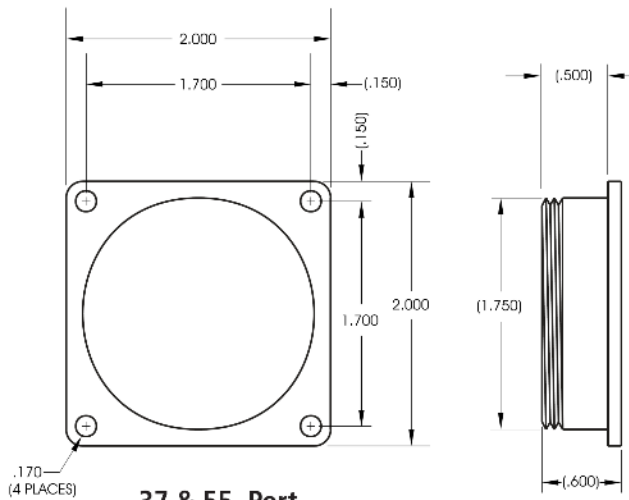
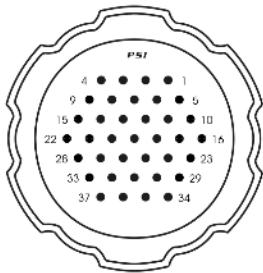
APPLICATIONS

- Windtunnel, Turbomachinery and Flight Testing
- Dry gas pressures up to 750 psig

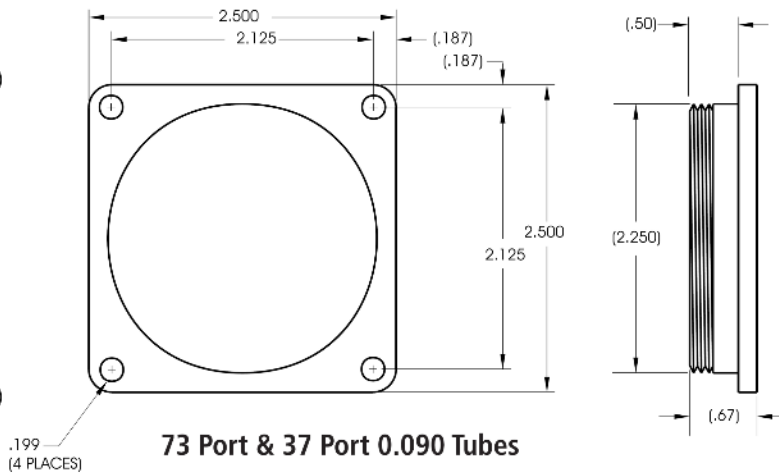
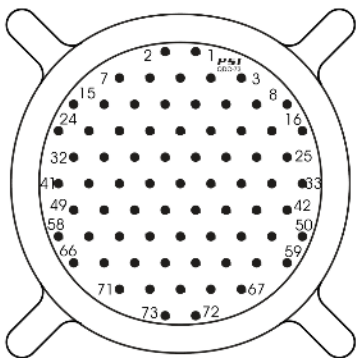
DIMENSIONS—QDCC



19 Port

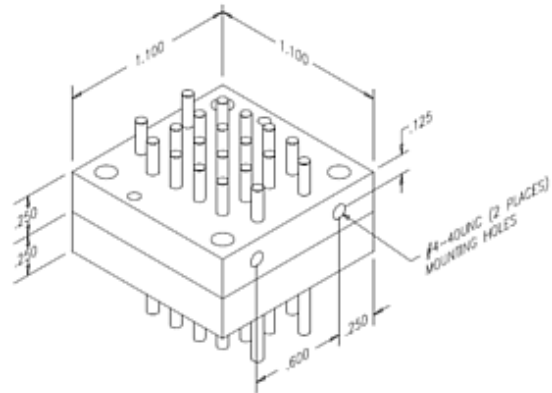


37 & 55 Port

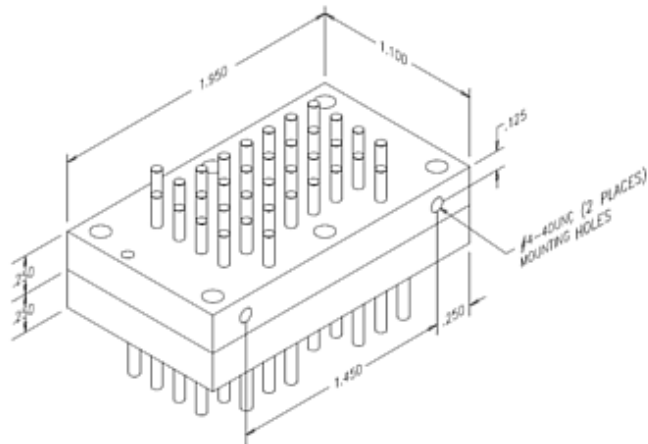


73 Port & 37 Port 0.090 Tubes

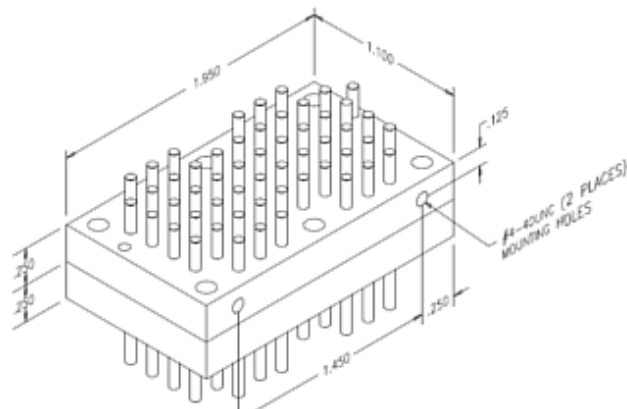
DIMENSIONS—QDCC



20 Ports



36 Ports



52 Ports

QUICK DISSCONNECTS

QDCC & QDCS

ORDERING INFORMATION

QDCC-AABBCCDD01 Circular Quick Disconnect, bulkhead mountable

AA = Socket Tubing	Size BB = Plug Tubing Size	CC = Number of Ports
00, No Socket	00, No Plug	01, 19 Ports
01, .040" x .350"	01, .040" x .350"	02, 37 Ports
02, .063" x .350"	02, .063" x .350"	03, 55 Ports
06, .063" x .550"	06, .063" x .550"	04, 73 Ports (.040" tubes only)

DD = Locking Feature

00, Non Locking (CC=01,04 only)
01, Locking (CC=02,03 only)

QDCC-0300CCDD01 Circular Quick Disconnect Blank Socket (Bulkhead Half)

QDCC-0003CCDD01 Circular Quick Disconnect Blank Plug (Removable Half)

CC = Number of Ports

01, 19 Ports
02, 37 Ports
03, 55 Ports
04, 73 Ports

DD = Locking Feature

00, Non Locking (CC=01,04 only)
01, Locking (CC=02,03 only)

QDCS-AABBCC0000 Rectangular Quick Disconnect, In-line

AA = Female Side Tube Size	BB = Male Side Tube Size	CC = Number of Ports
00, No Male Side	00, No Female Side	01, 20 Ports
01, .040" x .350"	01, .040" x .350"	02, 36 Ports
02, .063" x .350"	02, .063" x .350"	03, 52 Ports

For prices and availability please contact:-



TE.com/sensorsolutions

Measurement Specialties, Inc., a TE Connectivity company.

TE Connectivity, TE, TE connectivity (logo) are trademarks. All other logos, products and/or company names referred to herein might be trademarks of their respective owners.

The information given herein, including drawings, illustrations and schematics which are intended for illustration purposes only, is believed to be reliable. However, TE Connectivity makes no warranties as to its accuracy or completeness and disclaims any liability in connection with its use. TE Connectivity's obligations shall only be as set forth in TE Connectivity's Standard Terms and Conditions of Sale for this product and in no case will TE Connectivity be liable for any incidental, indirect or consequential damages arising out of the sale, resale, use or misuse of the product. Users of TE Connectivity products should make their own evaluation to determine the suitability of each such product for the specific application.

© 2018 TE Connectivity Ltd. family of companies All Rights Reserved.