

FEATURES

- Compliments PSI's Line of Pressure Scanners
- Bulkhead Mounted
- Easy Twistoff Connection
- Tubing Reducer Capable
- Pressures Up to 750 psid
Enables Quick-Disconnect of Scanner Calibration, Control and Reference as well as Measurement Pressures

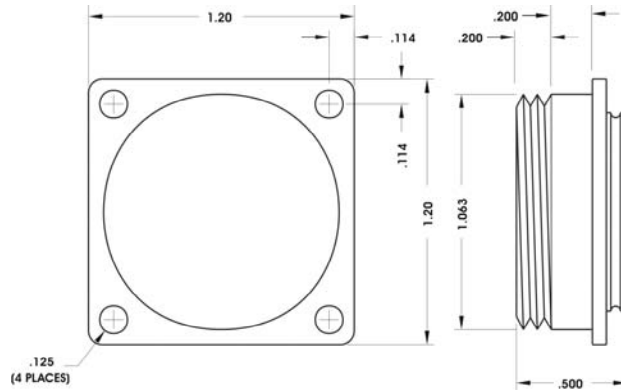
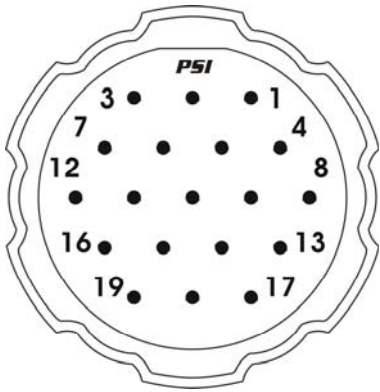


PSI's QDCC line of bulkhead-mounted circular quick-disconnects are designed to compliment our line of miniature ESP, Rackmount and Intelligent Pressure Scanners. These quick-disconnects provide an easy twistoff connection that can handle pressures up to 750 psi. They are available in 19, 37, 55 and 73 port configurations to enable disconnection of scanner calibration, control and reference pressures as well as measurement pressures. The quick-disconnects utilize stainless steel bulged tubulations that can be 0.040", 0.063", or 0.090" OD.

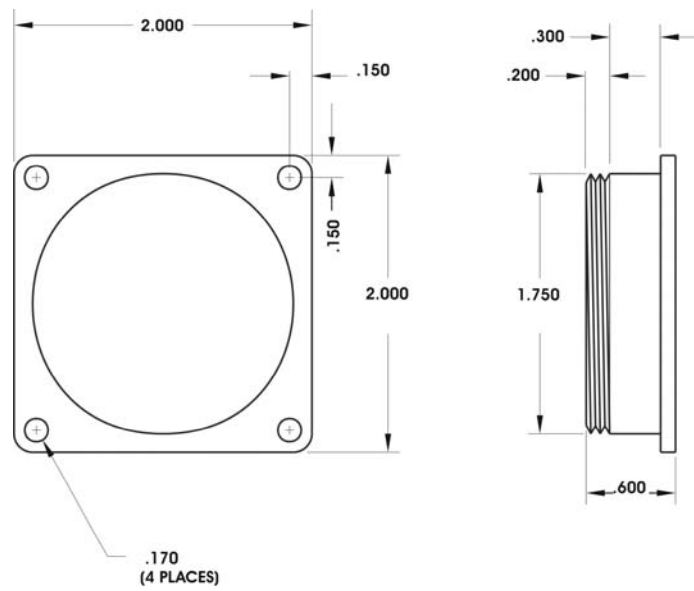
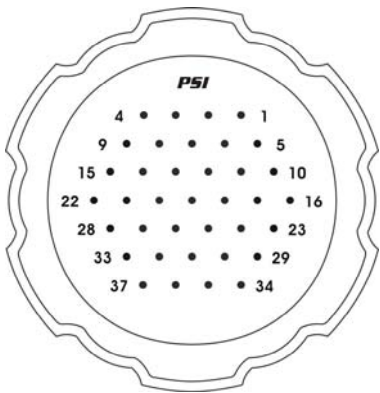
The QDCC's can be used with the same diameter tubing on both sides. They can also be used as reducers, which changes the tubing diameter. Blank halves are available to dead-end the pneumatic lines when disconnected to prevent contaminants from entering the tubing. PSI also offers matching nylon tubing, retaining springs and tubing pliers to assist in making all the pneumatic connections.

Ordering Information:

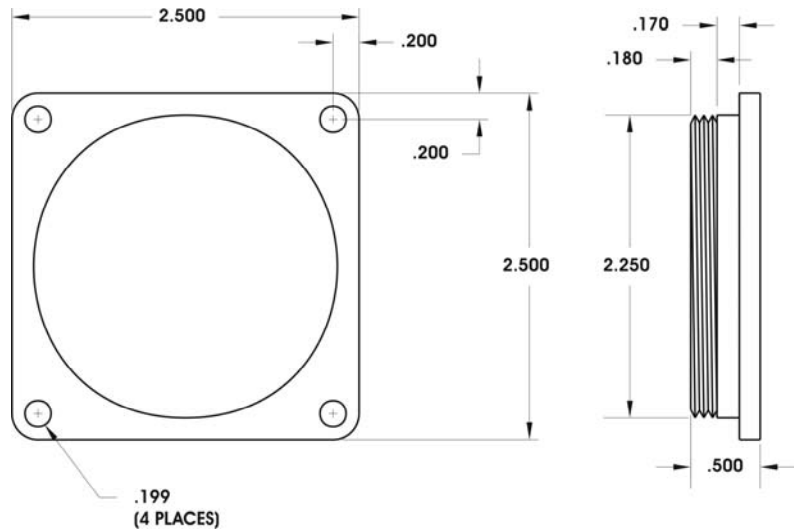
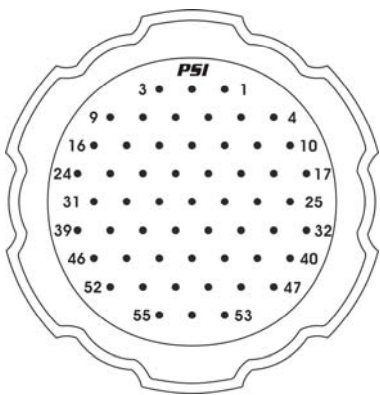
QDCC-AABBCC0000	Circular Quick Disconnect, bulkhead mountable		
	AA = Socket Tubing Size	BB = Plug Tubing Size	CC = Number of Ports
	01, .040" x .350"	01, .040" x .350"	01, 19 Ports
	02, .063" x .350"	02, .063" x .350"	02, 37 Ports
	05, .090" x .600" (CC=05 only)	05, .090" x .600" (CC=05 only)	03, 55 Ports
	06, .063" x .550"	06, .063" x .550"	04, 73 Ports (.040" tubes only)
			05, 37 Ports (.090" tubes only)
QDCC-0300CC0000	Circular Quick Disconnect Blank Socket (Bulkhead Half)		
QDCC-0003CC0000	Circular Quick Disconnect Blank Plug (Removable Half)		
	CC = Number of Ports		
	01, 19 Ports		
	02, 37 Ports		
	03, 55 Ports		
	04, 73 Ports		
	05, 37 Ports, 2.5" Diameter		



19 Port



37 and 55 Port



73 Port and 37 Port .090" tubes